



SMART DESIGNS FOR EMPOWERING STUDENTS

Create efficient, adaptable spaces that encourage collaboration and enhance the learning and teaching experience

FURNITURE

- 1. Freedom XRS Elite Lectern**
55418
62"W x 30"D
Adjustable height:
32" - 40"H (to worksurface)
- 2. Summit Single Monitor Arm**
95539
4.7"W x 22.6"D x 29.5"H
See website for more options
- 3. Flex Active Table**
37239
Shown:
60"W x 30"D x 30"H
See website for more options
- 4. OM5 Active Guest Chair**
38296
Shown:
Overall Dimensions:
20.75"W x 33"H
Seat Dimensions:
18"W x 18"D
See website for more options
- 5. Ready Lab Stool with Foot Ring**
Shown:
38294
18"W x 16"D x 36.5"-46"H
See website for more options
- 6. Optio Collaboration Table**
37132
Shown:
Shape: Straight Edge
72"W x 48"D (x2) &
96"W x 48"D (x2)
eLift:
Worksurface height range:
29" - 42" (with casters)
See website for more options



Lectern and tables shown
meet ADA compliance
standards

Learn more about how to
achieve ADA compliance
in any space with our ADA
Guidebook.

Download
your copy
now



FURNITURE

1. Flex InSight Desk - 60" Width
38979
60"W x 24"D x 29"H

2. Flex InSight Desk - 42" Width
38979
42"W x 30"D x 29"H



3. OM5 Active Guest Chair
38296
Overall Dimensions:
20.75"W x 33"H (without arms)
Seat Dimensions:
18"W x 18"D

4. SLIM Lectern
55152
24"W x 22.5"D x 45.6"H

5. Optio Collaboration Table
37132
Shown:
Shape: Straight Edge
72"W x 48"D
eLift:
Worksurface height range:
29" - 42" (with casters)

6. MOTIV Soft Seating
Shown:
Single Chair
38279
23"W x 32"D x 34"H

7. Blender Soft Seating
Shown:
Hexagon Ottoman
38303 (vinyl)
19"W x 19"D x 18"H

8. AV Credenza Slim
55497
Shown:
Two Bay with Riser
50.5"W x 14.7"D x 37"H

*See website for more options



The Value of Branding



We design all of our products with branding and logo placement in mind and are committed to offering logo options to a wide range of our products, including desks, lecterns, workstations, and more.

We understand that logos are vital elements that help to build a school's visual identity and communicate a school's brand.

When students and families become familiar with your branding (or logo) and know what to expect from you, trust and loyalty inevitably follow.

This is the power of a branded logo.

Read more about the power of logo branding and how Spectrum can serve your school on our blog.

LEARN MORE NOW →

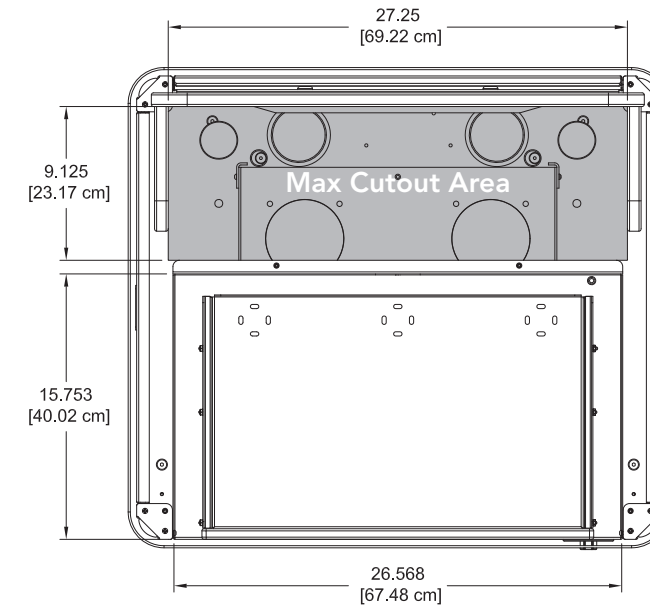


Customization

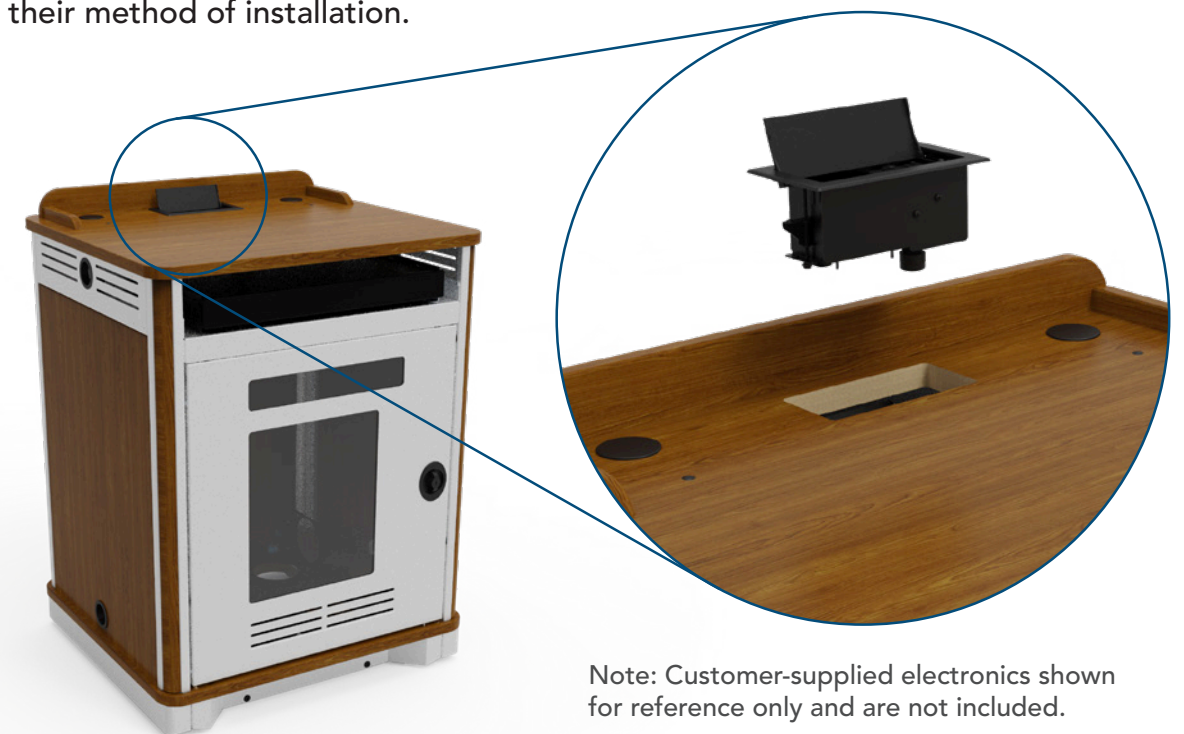
Add custom cutouts to your lectern in a few simple steps.

1 Supply us with the device name, model number and location. See product specs for available cutout areas.

2 Spectrum Technical Service team validates cutout placement and ensures no obstructions below the surface. Surround and Overbridge examples below.



3 Customer confirms cutout sizes are correct for their method of installation.



Note: Customer-supplied electronics shown for reference only and are not included.

Fixed Height Lecterns



Inspiration Plus Lectern™
Product 55411



SLIM Lectern™
Product 55152



CORE Lectern™
Product 55548-55550



Director Lectern™
Product 55213



Elite Lectern™
Product 55153



Edge Lectern™
Product 55566



Link Lectern™
Product 55115



Compact Lectern™
Product 55212



Hyflex Lectern™
Product 55570

Adjustable Height Lecterns



Freedom XRS Elite Lectern™
Product 55418



Pivot Premier Workstation™
Product 55558



Honors Lectern™
Product 55178



Companion Equipment Rack™
Product 55559



Freedom One eLift Lectern™
Product 55542

Desks



Flex InSight Desk™
Product 38979

Tables



Optio Collaboration Table™
Product 37132



Flex Active Table™
Product 37239

Chairs



OM5 Active Guest Chair™
Product 38296



OM5 Active Tasker Chair™
Product 38297



Freedom One Sit-to-Stand Lectern™
Product 55355



Evolution Electric Sit-to-Stand Desk™
Product 38921, 38922, 38923, 38924



Adjustable Height SLIM Lectern™
Product 55544

IMC™



Instructor Media Console™
(preconfigured consoles)
Product 68020-68028

Visit spectrumfurniture.com to explore all AV and classroom solutions →

