

Assembly Instructions

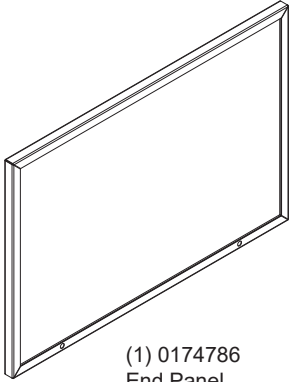
⚠ Important ⚠

Before you begin, read and comply with all safety and operating instructions, and ensure all parts and correct quantities are included.

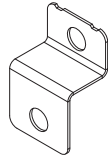
Any parts damaged during shipment must be reported within 5 days of receipt. To report information regarding missing parts or damage, to purchase parts or accessories, or if you have any questions, please contact us.

www.spectrumfurniture.com
800-235-1262, 715-723-6750

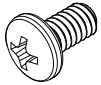
Thank you for purchasing Spectrum products!



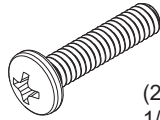
(1) 0174786
End Panel



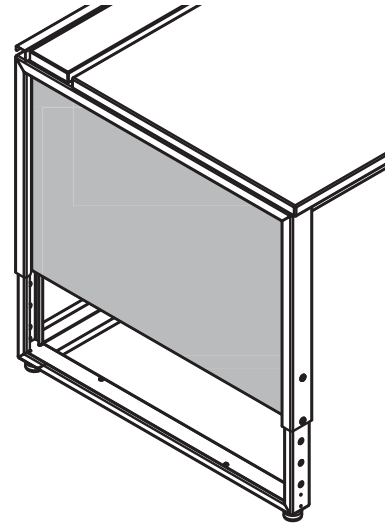
(2) 0174787
Bracket



(4) 035728
1/4-20 x 1/2" PHMS



(2) 026425
1/4-20 x 1" PHMS



End Panel Kit for GG Gaming Desk 95043



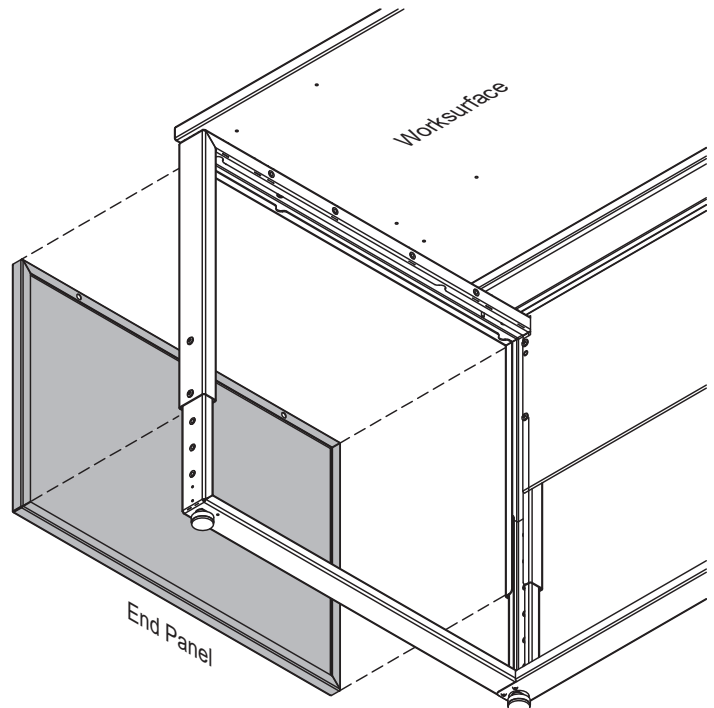
X2



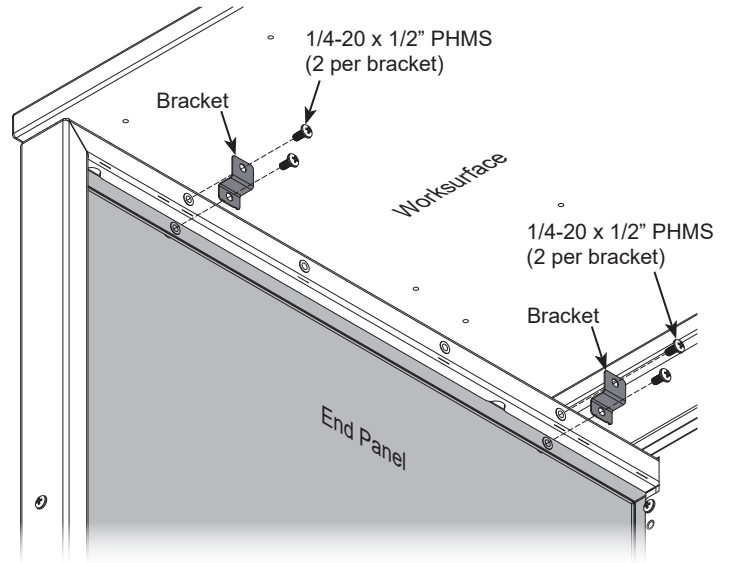
Assembly tip: Do not tighten component fasteners completely until all have been installed. Keeping them loose will help with alignment between parts during assembly.

Installation

1. Insert the end panel into one of the leg slots, then align and center into place.



2. Under the worksurface, secure the end panel using (2) brackets with (2) 1/4-20 x 1/2" PHMS per bracket.



3. Remove the lower existing 1/4-20 x 1/2" PHM screw and replace with 1/4-20 x 1" PHM screws.
4. Repeat on opposite side of leg.
5. Tighten both screws to secure the end panel.

