
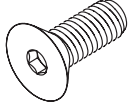
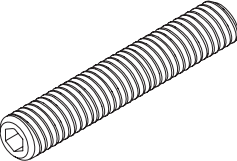
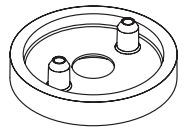

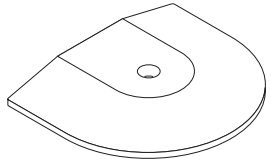
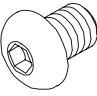
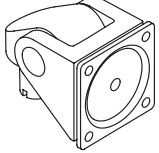
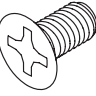
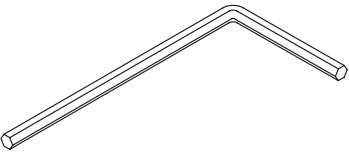
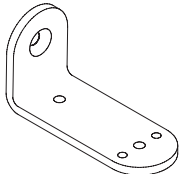

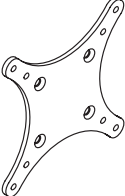
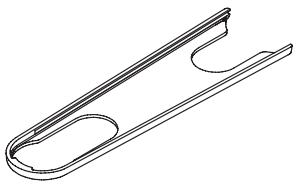
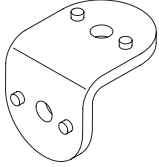
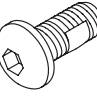

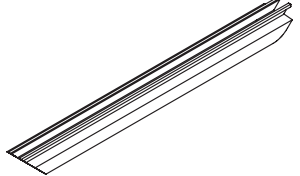
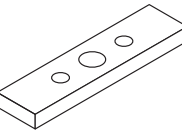
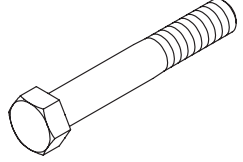
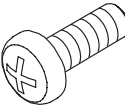

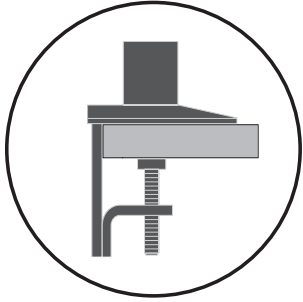


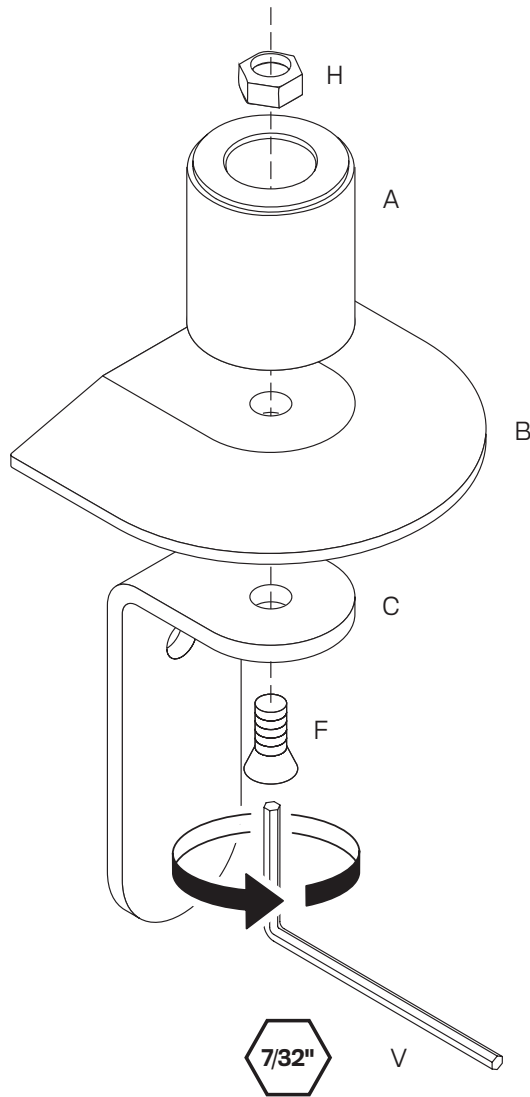
# PARTS LIST

|   |  |   |  |   |
|---|--|---|--|---|
| <p>A Mount Column 1x<br/>401328</p>          | <p>F 3/8-16 x 1" Flat Socket Cap Screw 1x<br/>701124</p>        | <p>K 1/2-13 x 3" Socket Set Screw 1x<br/>701126</p>                      | <p>P Dog Washer 1x<br/>105189</p>                       | <p>U 3/32" Allen Wrench 1x<br/>700146</p>  |
| <p>B Base Plate 1x<br/>406656</p>            | <p>G 3/8-16 x 1/2" BHSCS 1x<br/>702898</p>                      | <p>L Monitor Tilter 1x<br/>405397</p>                                    | <p>Q 10-32 x 3/8" FPhMS w/Lock Patch 1x<br/>705198</p>  | <p>V 7/32" Allen Wrench 1x<br/>701127</p>  |
| <p>C Large "L" Bracket 1x<br/>701117</p>   | <p>H 3/8-16 Nylon Stop Nut 1x<br/>701418</p>                  | <p>M 75/100mm VESA Adapter Plate 1x<br/>105587</p>                     | <p>R Forearm Cable Cap 1x<br/>115584</p>              |   |
| <p>D Small "L" Bracket 1x<br/>111728</p>   | <p>I 3/8-16 x 7/8" Button Socket Cap Screw 1x<br/>701122</p>  | <p>N 10-32 x 3/8" Phillips Flat Head Screw (4-pack) 1x<br/>702281</p>  | <p>S Cable Cap 1x<br/>114810</p>                      |   |
| <p>E Rectangular Spacer 1x<br/>701544</p>  | <p>J 3/8-16 x 2-1/2" Hex Head Bolt 1x<br/>700268</p>         | <p>O M4 x 12mm Phillips Pan Head Screw (4-pack) 1x<br/>702096</p>      | <p>T 1/8" Allen Wrench 1x<br/>701312</p>              |   |

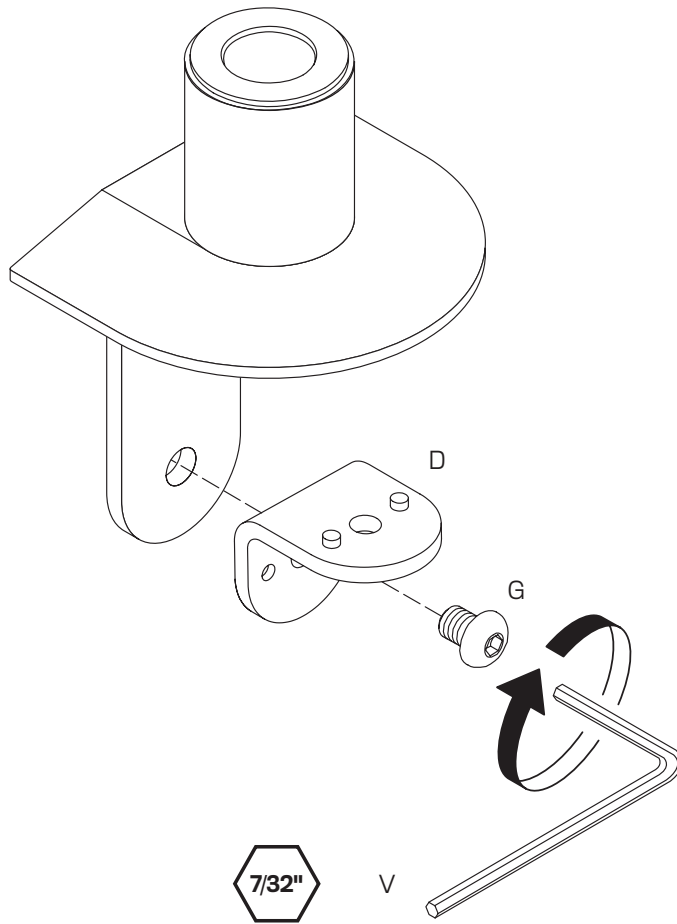
# DESK CLAMP



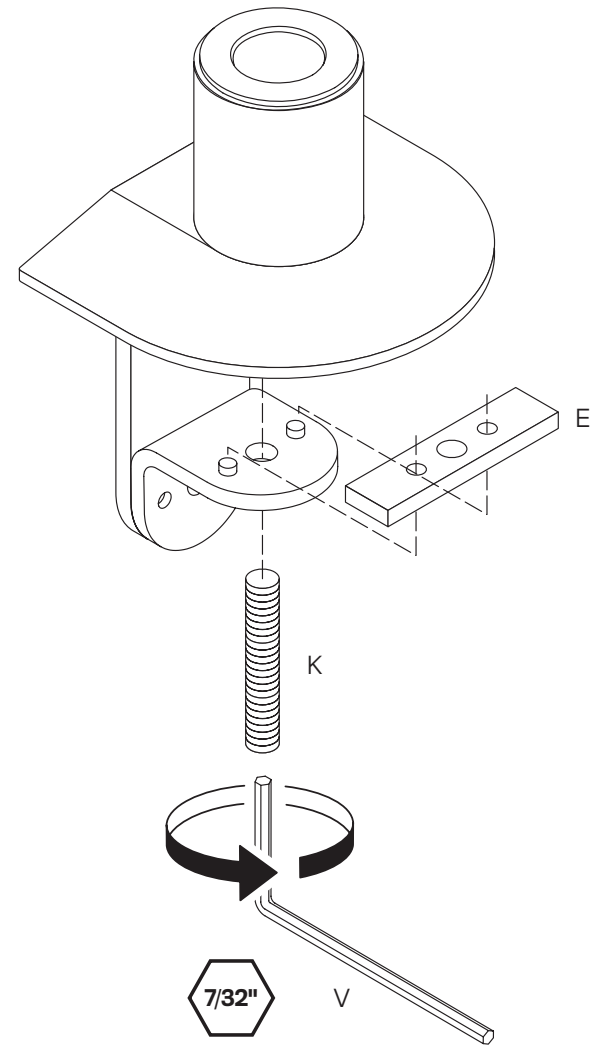
1a

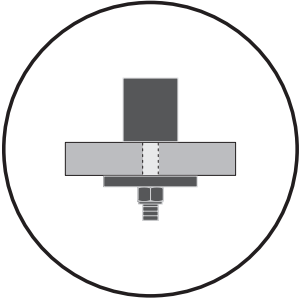


1b



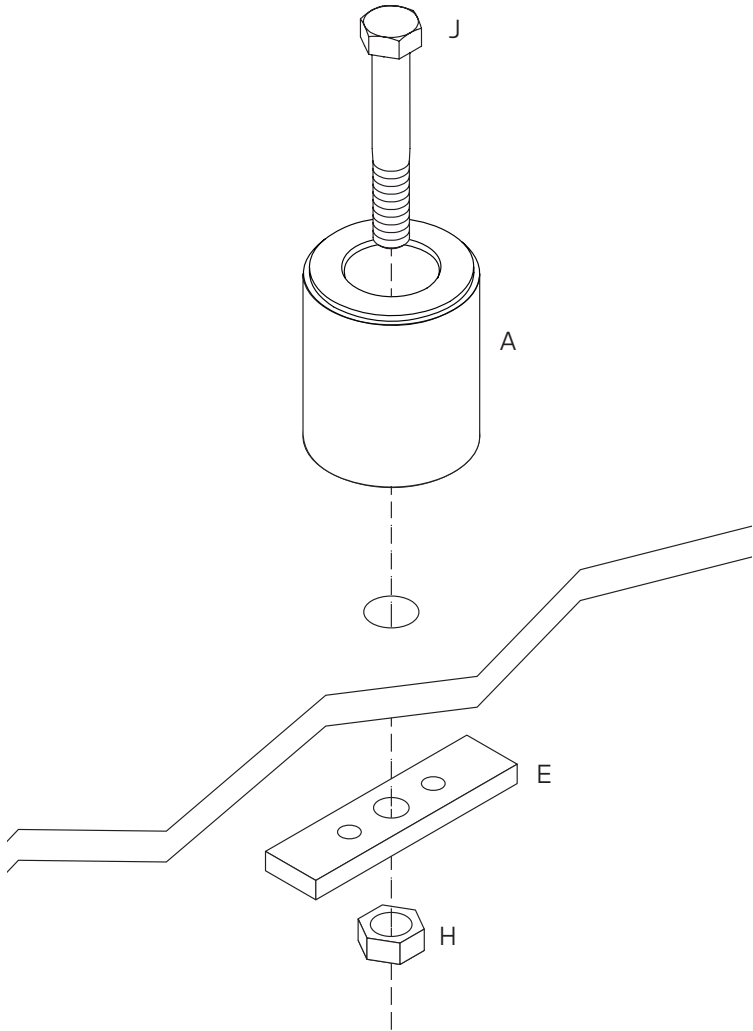
1c





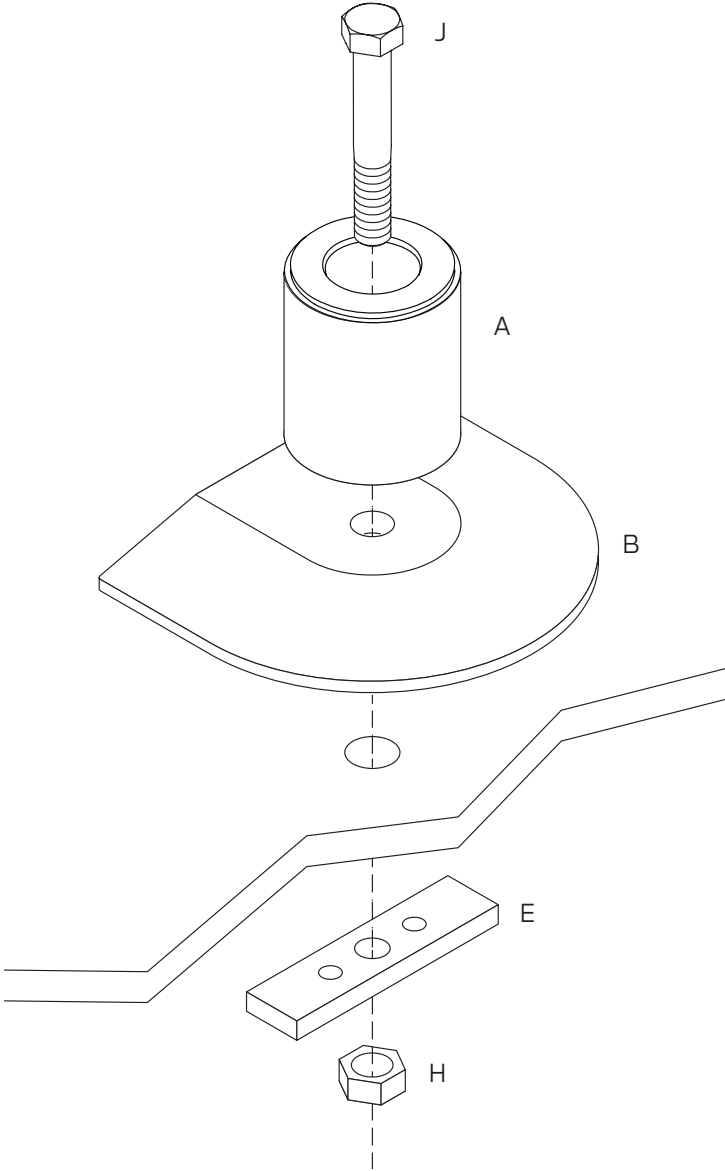
2a

8111-CUP

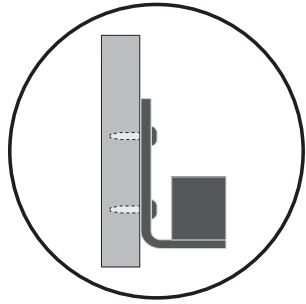


2b

8111-THRU

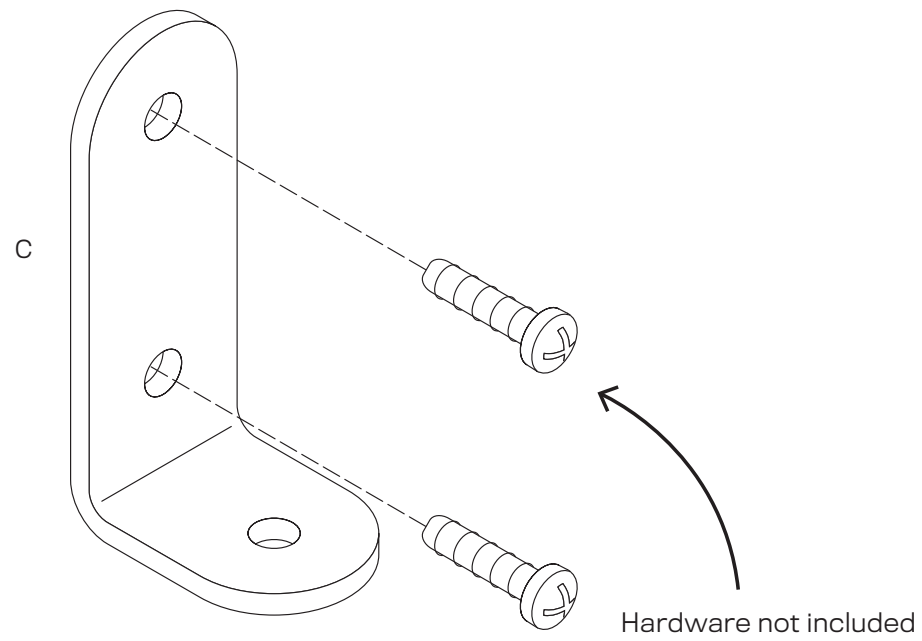


WALL MOUNT

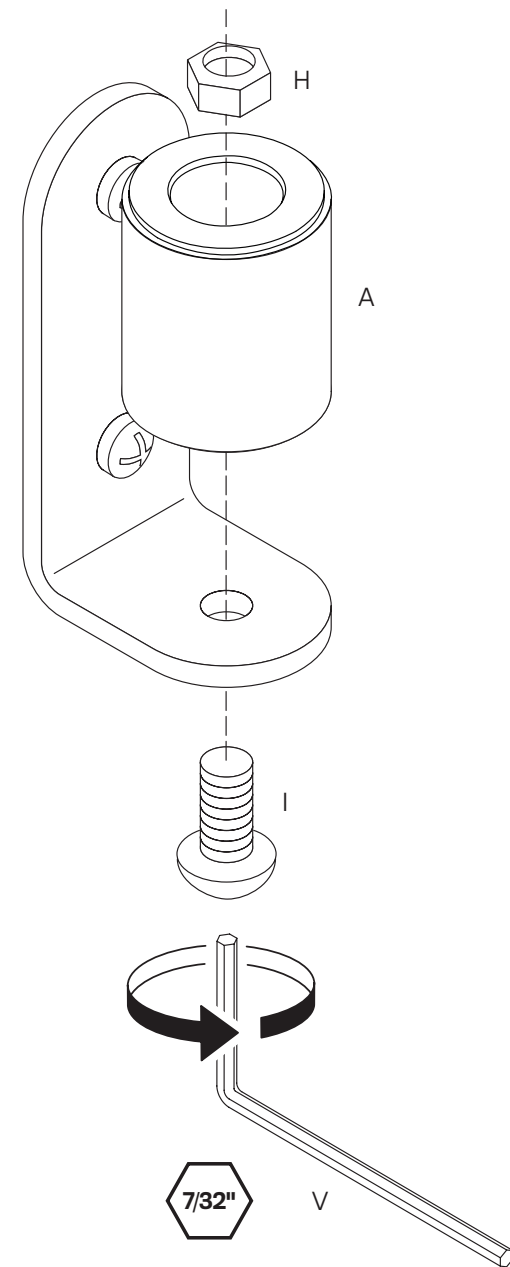


8111-WALL

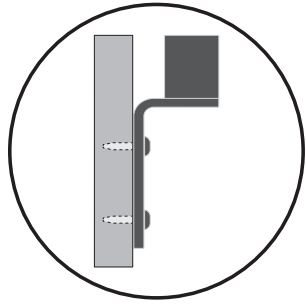
3a



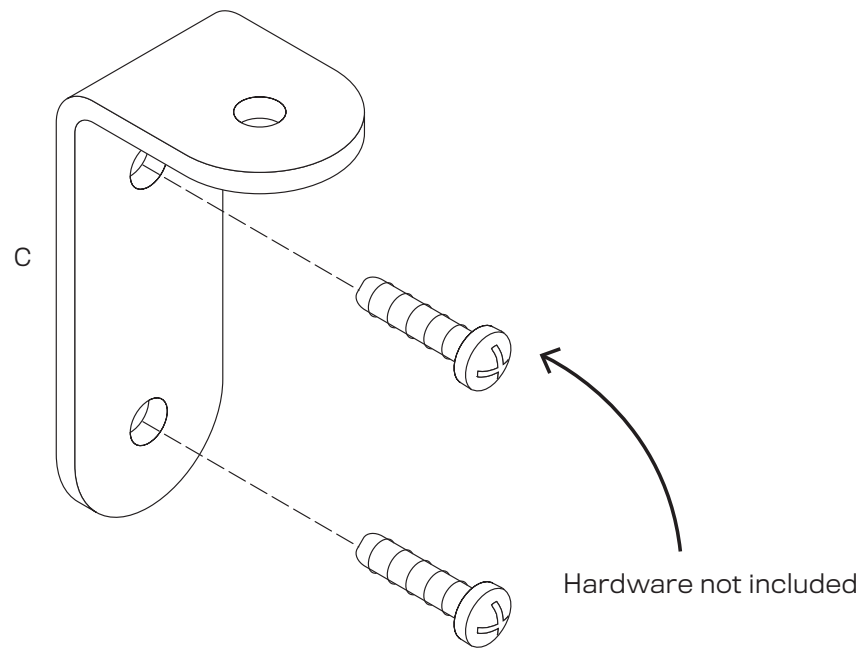
3b



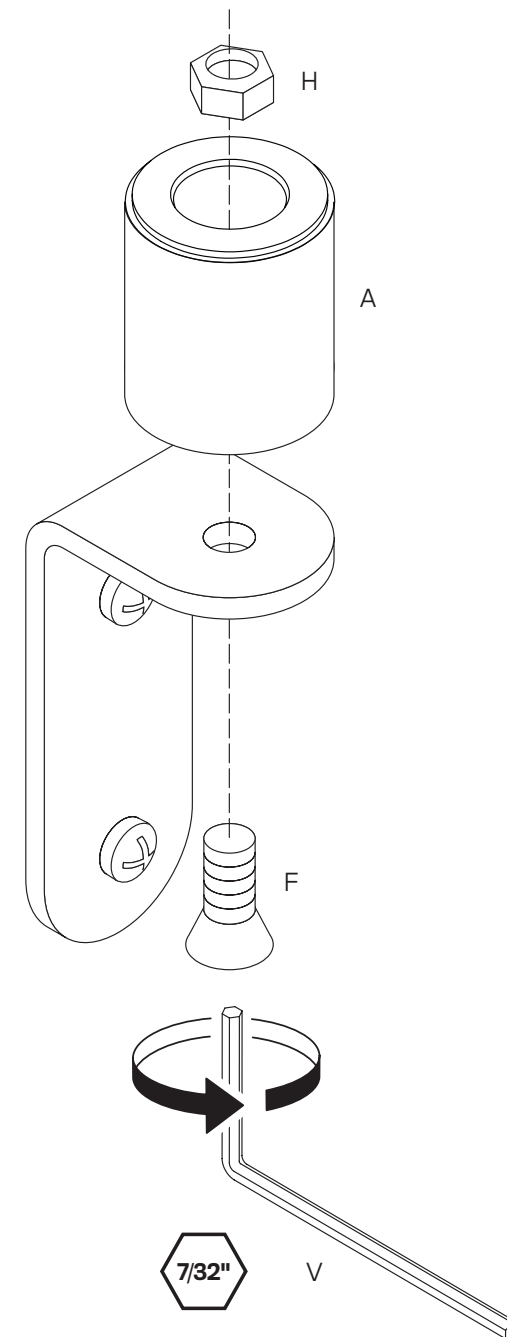
# REVERSE WALL MOUNT



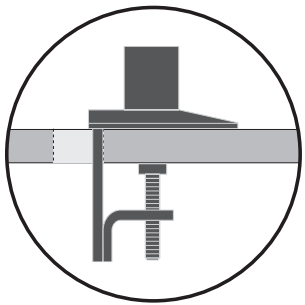
4a



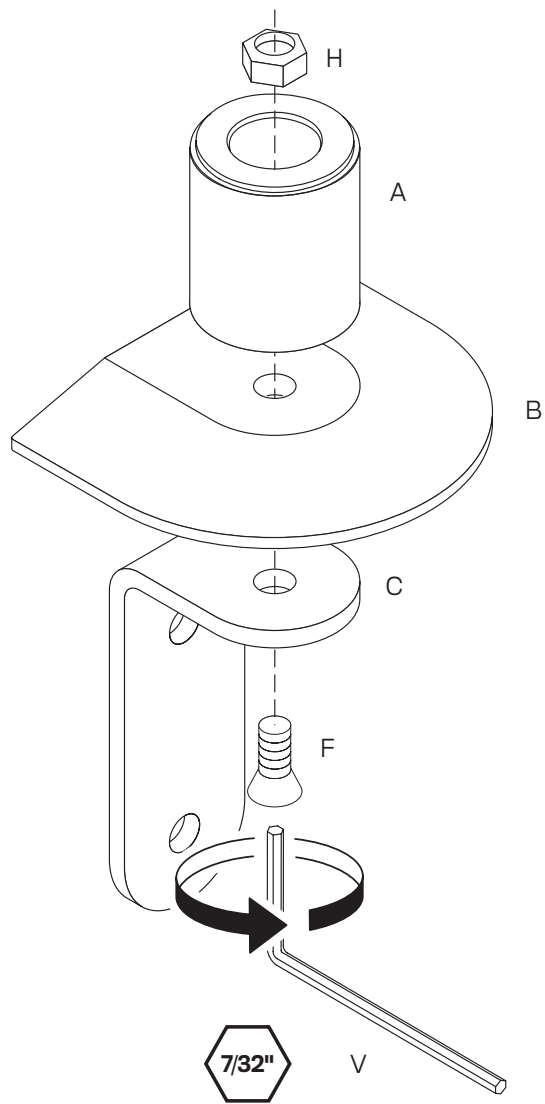
4b



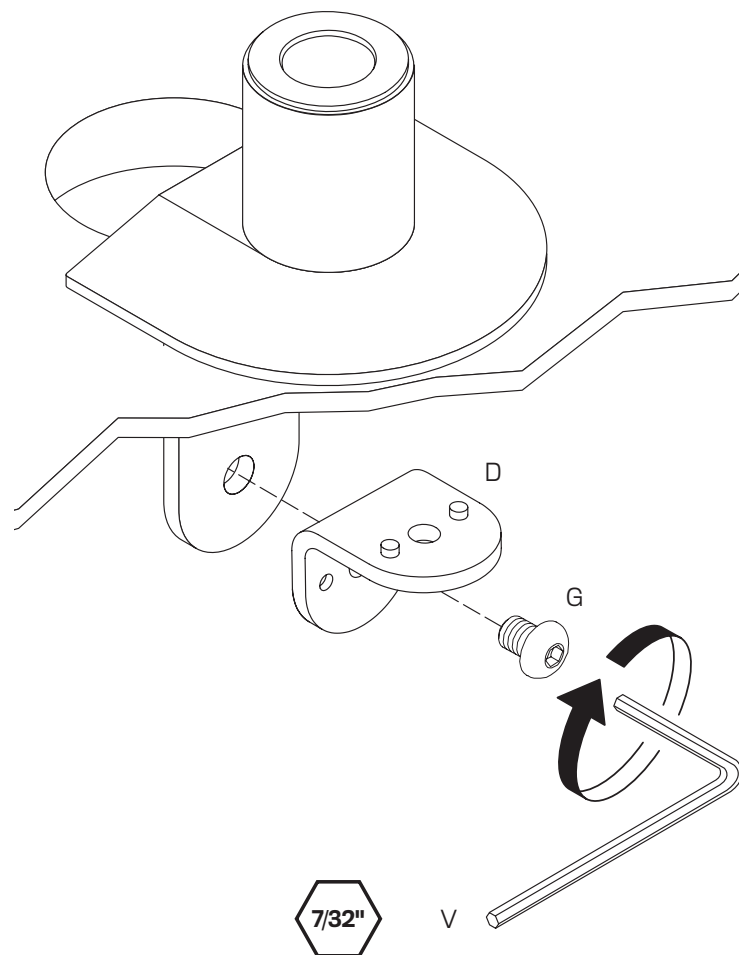
# GROMMET



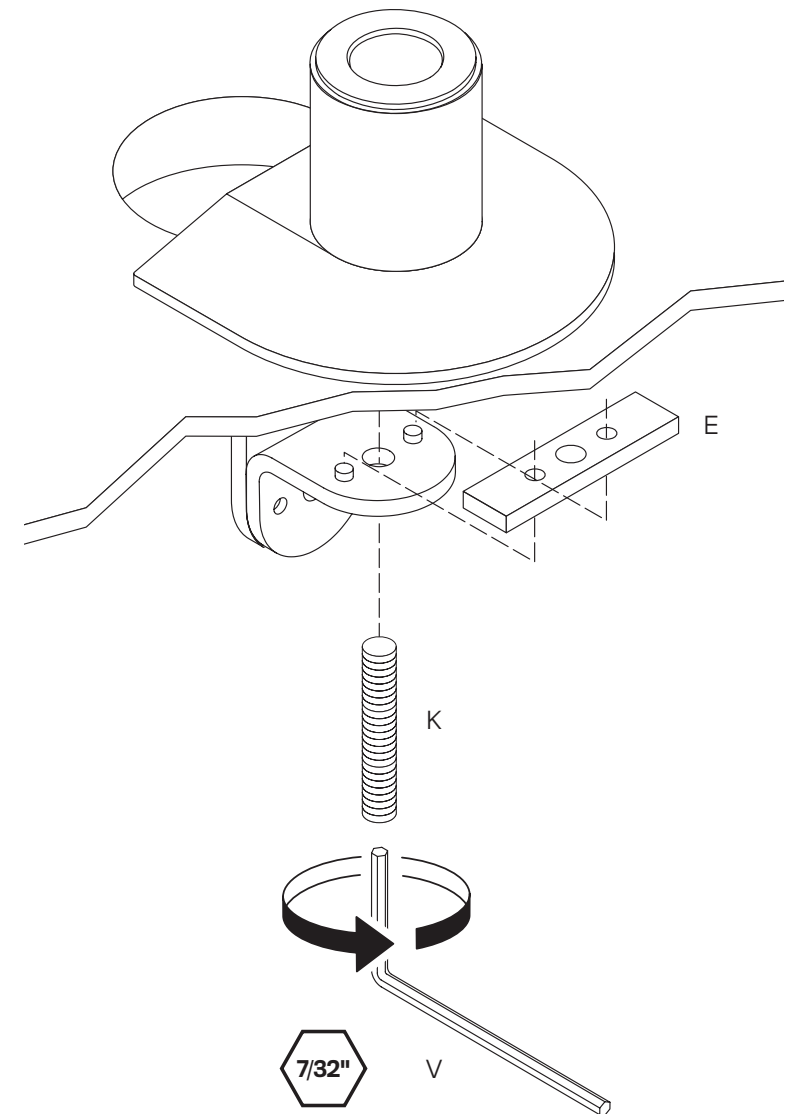
5a



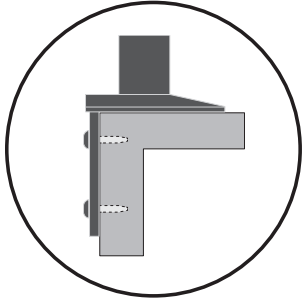
5b



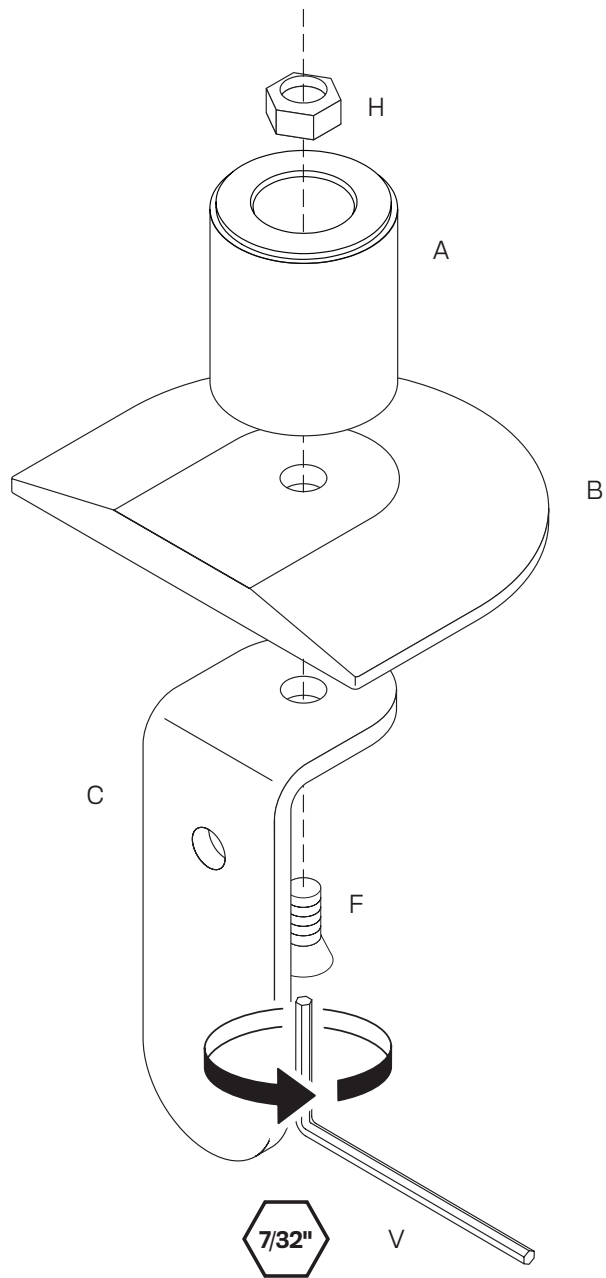
5c



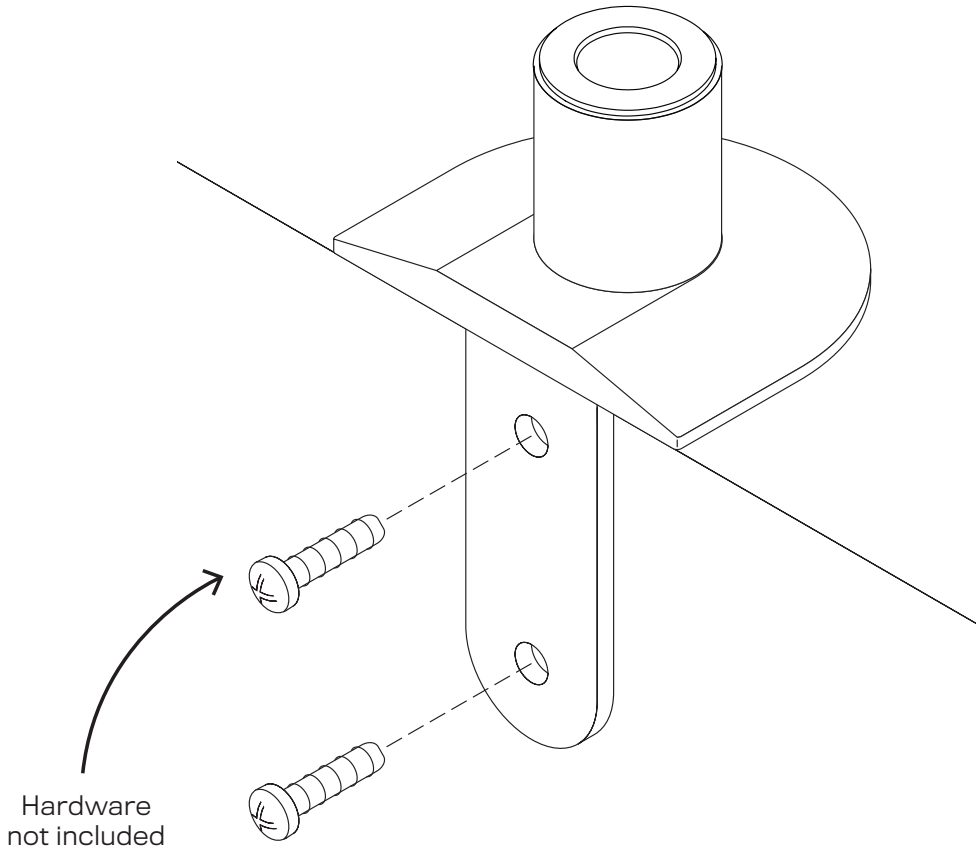
SIDE BOLT



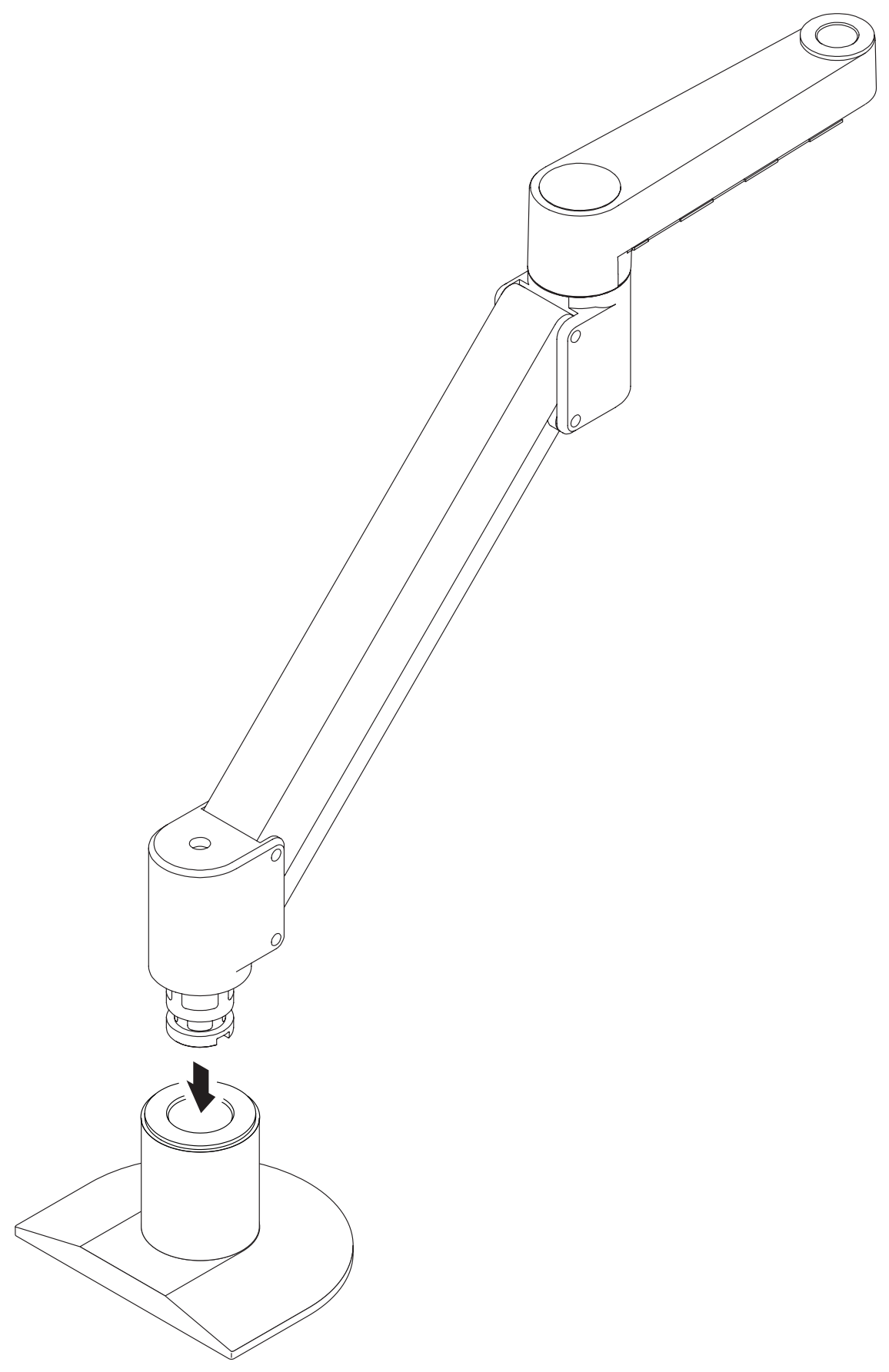
6a

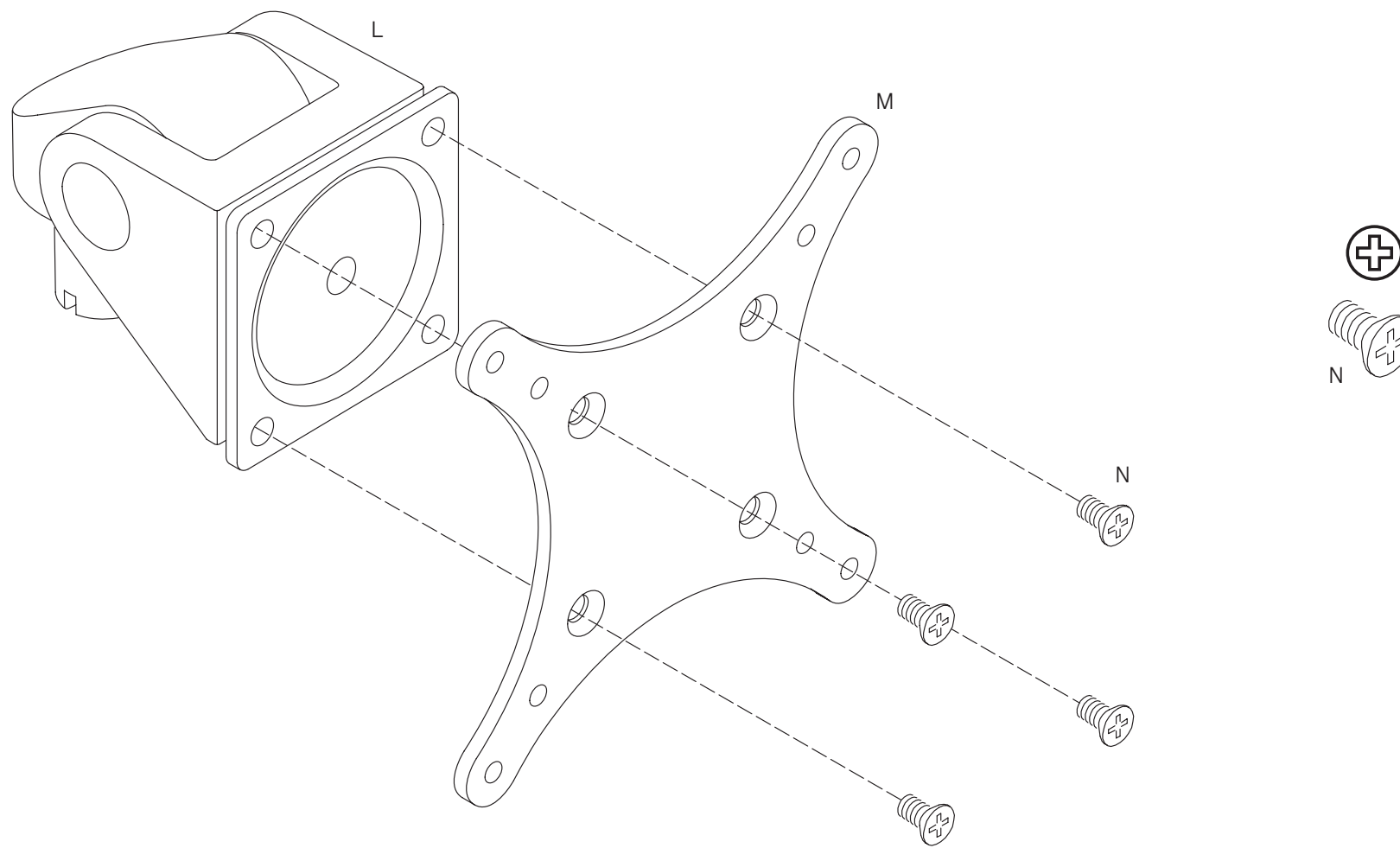


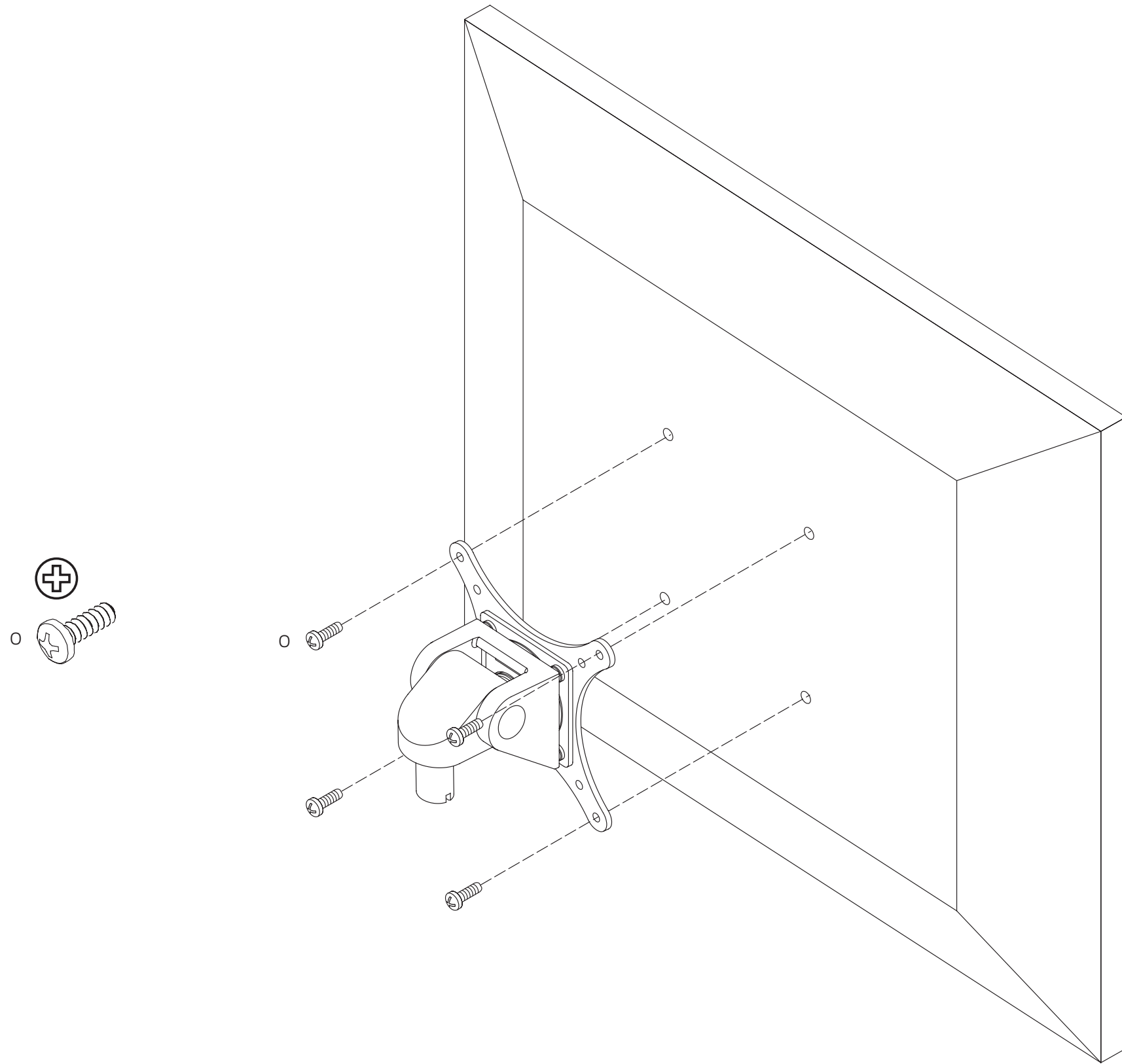
6b

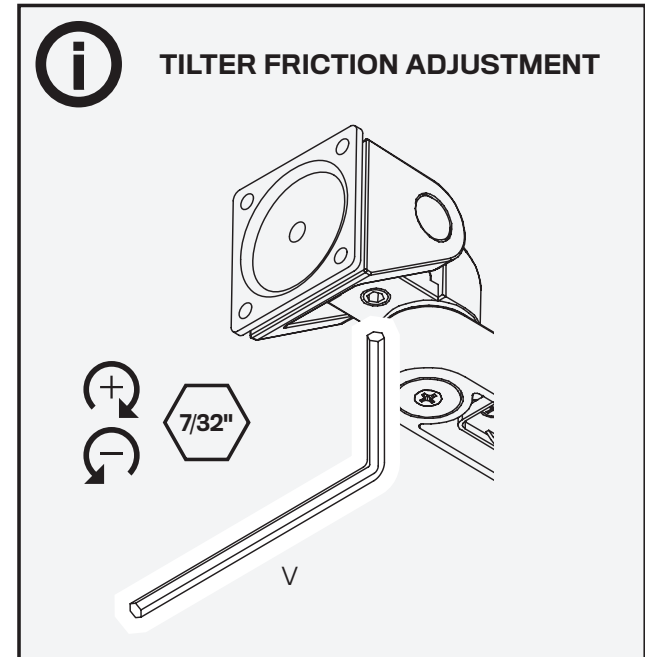
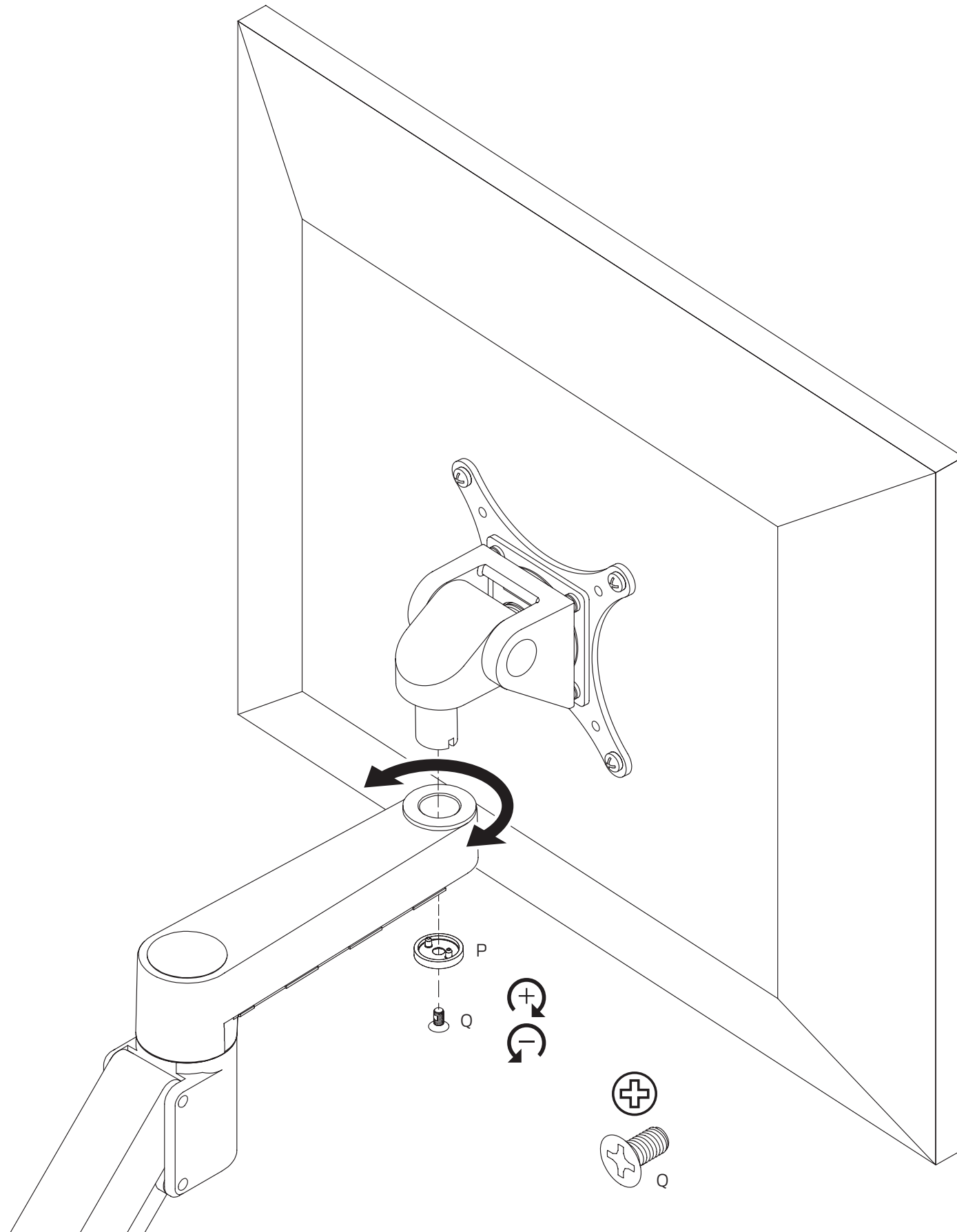






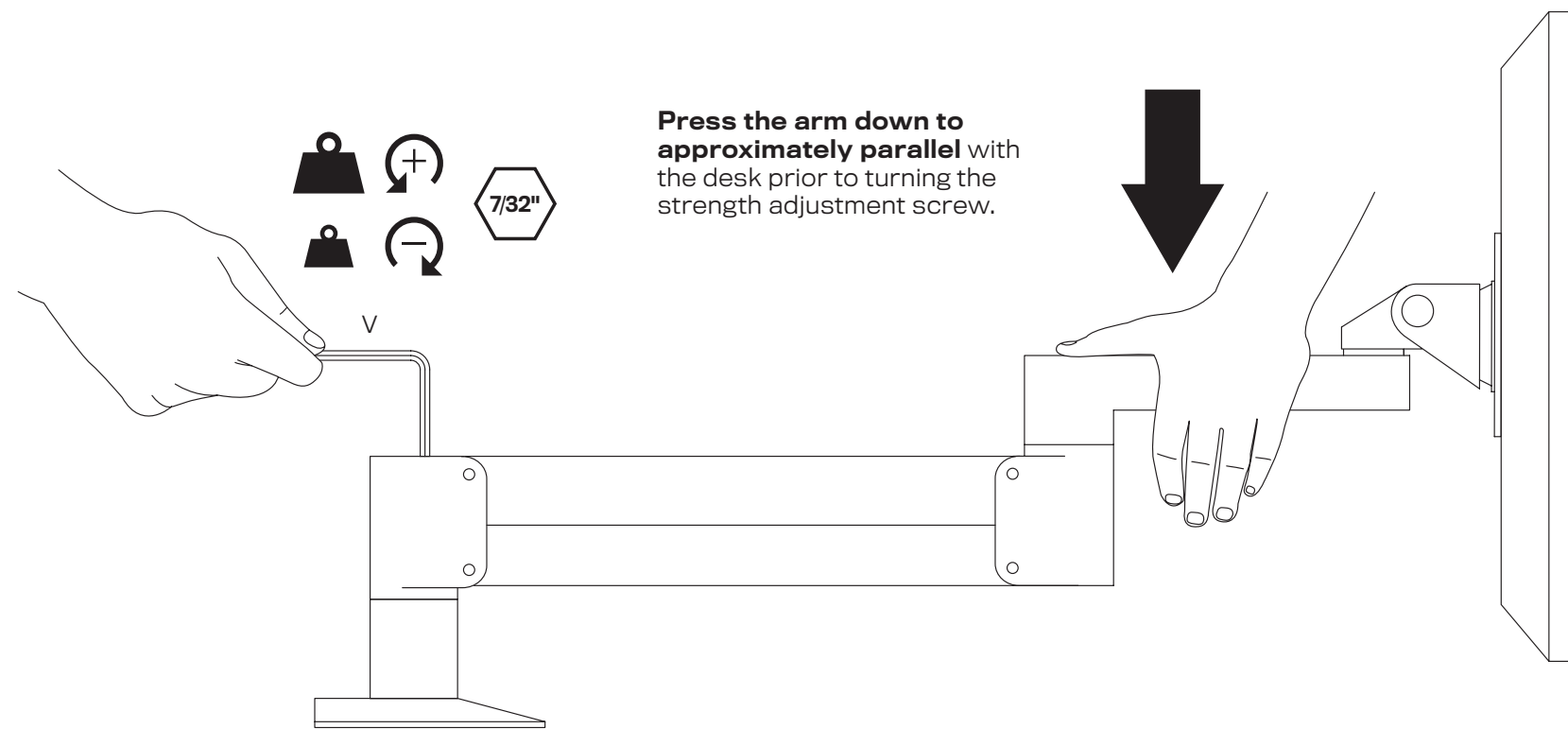
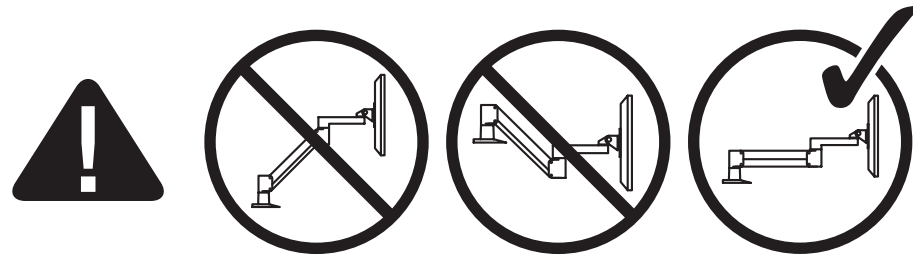






**IMPORTANT!**

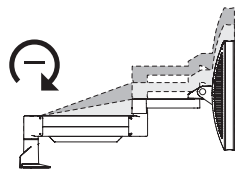
- Monitor must be on arm
- Arm must be in mount



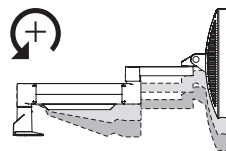
**i** **OPTIONAL ADJUSTMENT**

**In some instances,** an additional counterbalance adjustment may be needed to allow the arm's instant height adjustment function to work properly.

If your arm is not staying in position after performing step 11, tighten the adjustment screw as shown.



If the arm **drifts upward**, turn the adjustment screw clockwise.



If the arm **drifts downward**, turn the adjustment screw counter-clockwise.

Depending on the weight of your monitor, **you may have to make 15-20 turns.**

