

# Assembly Instructions

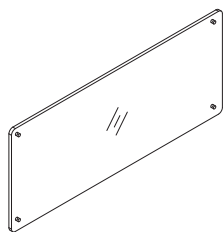
## ⚠ Important ⚠

Before you begin, read and comply with all safety and operating instructions, and ensure all parts and correct quantities are included.

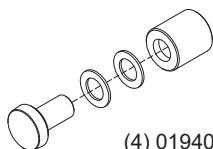
Any parts damaged during shipment must be reported within 5 days of receipt. To report information regarding missing parts or damage, to purchase parts or accessories, or if you have any questions, please contact us.

[www.spectrumfurniture.com](http://www.spectrumfurniture.com)  
800-235-1262, 715-723-6750

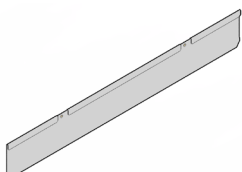
*Thank you for purchasing Spectrum products!*



(1) 0181379  
Acrylic lower  
logo panel



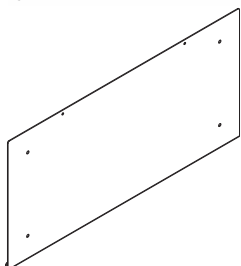
(4) 0194092  
3/4" x 3/4"  
brushed stainless  
standoff



(1) 0181552  
Bracket



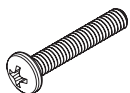
(4) 0107892  
10-24 x 1/4"  
SHCS



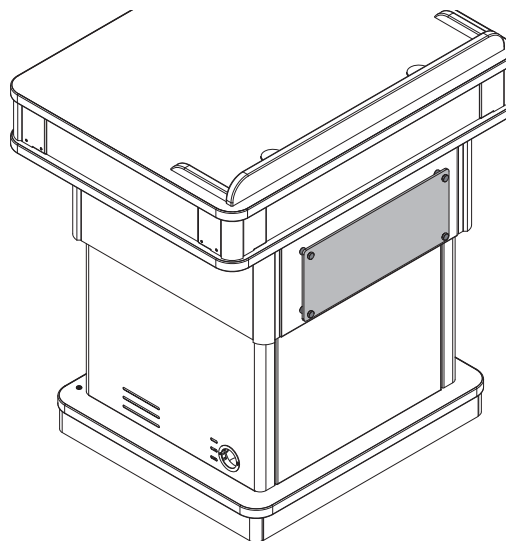
(1) 0181492  
Metal panel



(2) 021587  
8-32 x 1/2" PHMS  
(silver)



(2) 051696  
8-32 x 1" PHMS  
(black)



## Customized Lower Acrylic Logo Panel for Honors Lectern

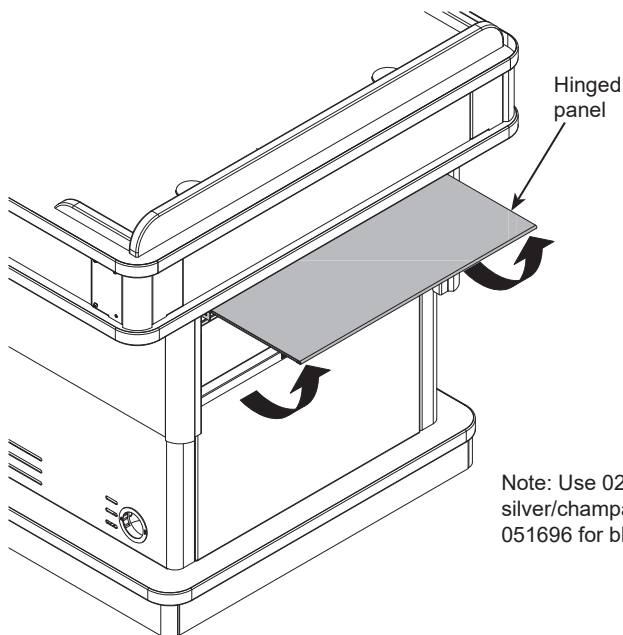
55149



Assembly tip: Do not tighten component fasteners completely until all have been installed. Keeping them loose will help with alignment between parts during assembly.

## 1 Remove existing metal panel

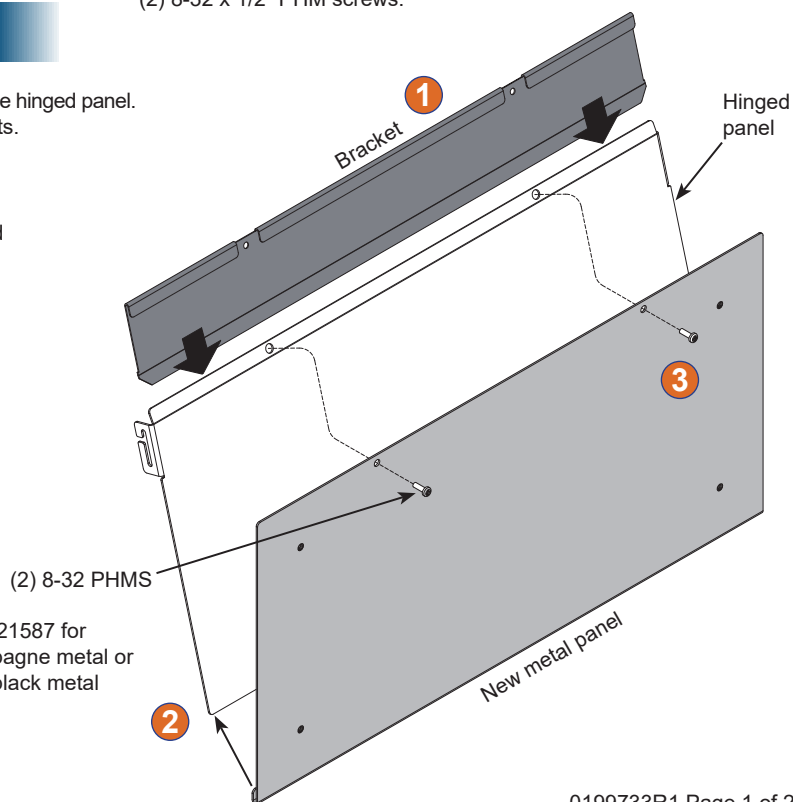
1. If your lectern has an existing lower logo panel remove it from the hinged panel.
2. Tip the existing metal panel up and remove from hinge points.



Note: Use 021587 for silver/champagne metal or 051696 for black metal

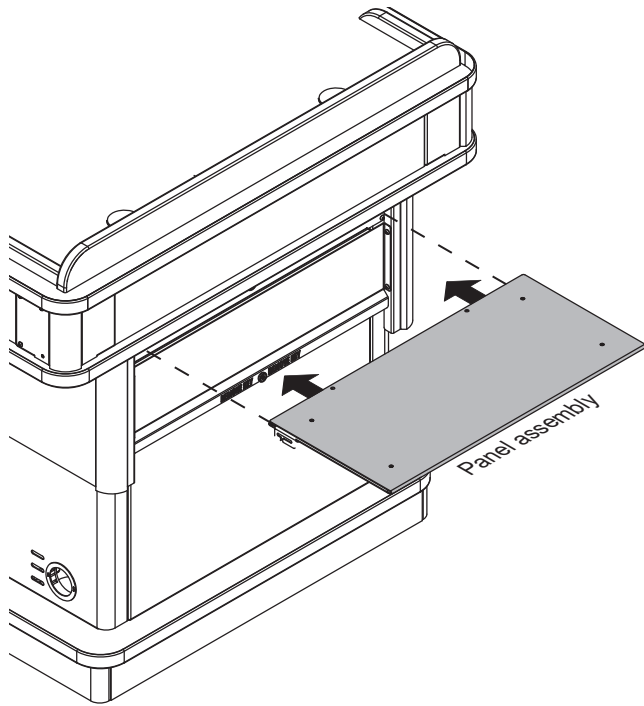
## 2 Assemble new metal panel

1. Slide the bracket behind hinged panel as shown.
2. Hook the new metal panel onto the lower edge of the hinged panel and "lock" them together by pinching them together at the two hinge points.
3. Align the top (2) mounting holes of all three pieces and secure with (2) 8-32 x 1/2" PHM screws.



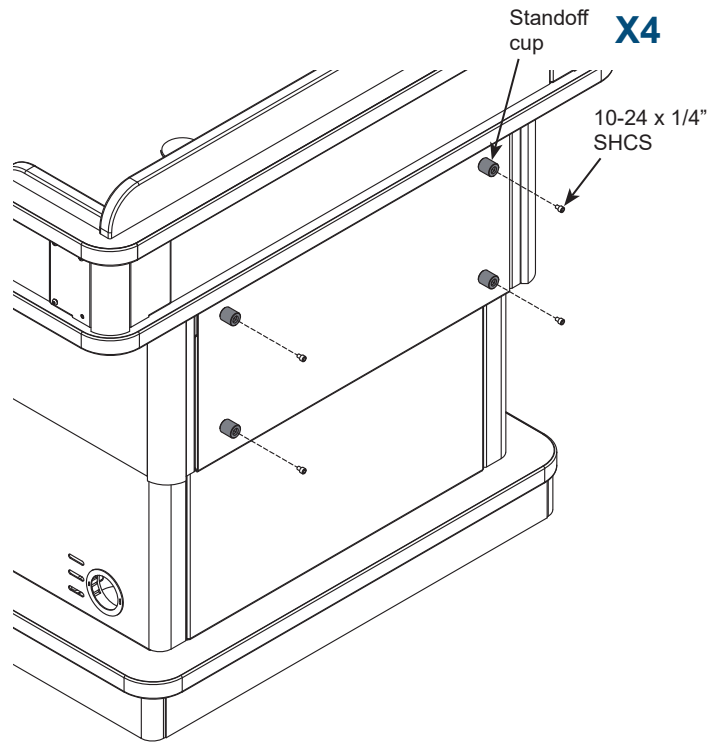
### 3 Install new metal panel assembly

1. Align the new panel assembly with the opening and hook the sides onto hinge points.



### 4 Attach standoff cups

1. Attach each standoff cup to the new metal panel using a 10-24 x 1/4" SHC screw.



### 5 Attach logo panel

1. Using a standoff washer on both sides of the acrylic logo panel, attach the logo panel to the standoffs using the (4) top standoff caps.
2. Using a standoff washer on both sides of the acrylic logo panel, attach the logo panel to the standoff cups using the (4) top standoff caps.

