

Assembly Instructions

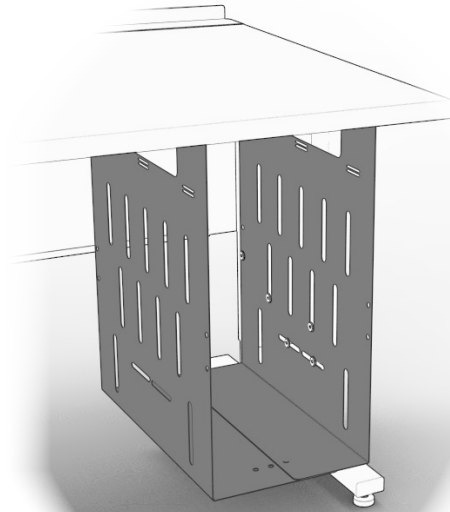
⚠ Important ⚠

Before you begin, read and comply with all safety and operating instructions, and ensure all parts and correct quantities are included.

Any parts damaged during shipment must be reported within 5 days of receipt. To report information regarding missing parts or damage, to purchase parts or accessories, or if you have any questions, please contact us.

www.spectrumfurniture.com
800-235-1262, 715-723-6750

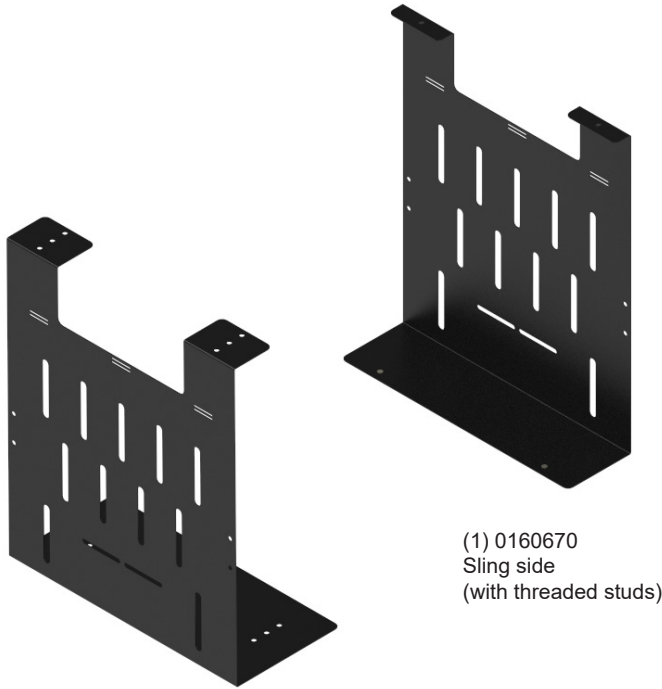
Thank you for purchasing Spectrum products!



Universal CPU Sling 38925

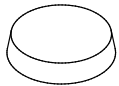


Assembly tip: Do not tighten component fasteners completely until all have been installed. Keeping them loose will help with alignment between parts during assembly.



(1) 0160670
Sling side
(with threaded studs)

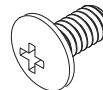
(1) 0179780
Sling side
(with holes)



(6) 035674
Adhesive bumper
3/4" dia x 5/32" Thick



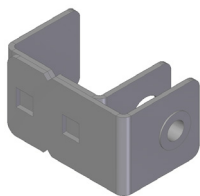
(4) 0101382
#14 x 7/8" PHSM



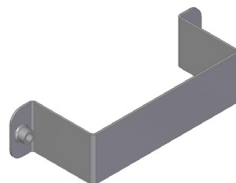
(6) 042025
1/4-20 x 3/8" THMS



(2) 034195
1/4-20 wing nut



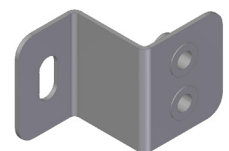
(1) 0166363
Bracket assembly
for Evolution Desk /
Esports Evolution Desk



(1) 0179776
Custom Bracket
for Evolution Electric Sit-
To-Stand Desk



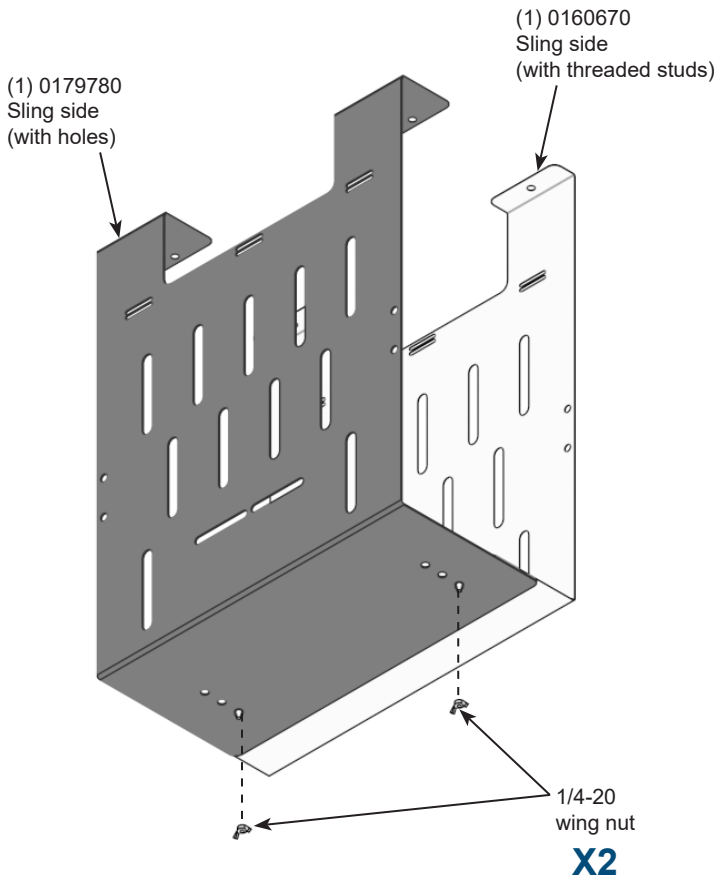
(1) 0179881
Custom Bracket
for Esports GG desk



(1) 0179787
Custom Bracket
for Esports Shoutcaster

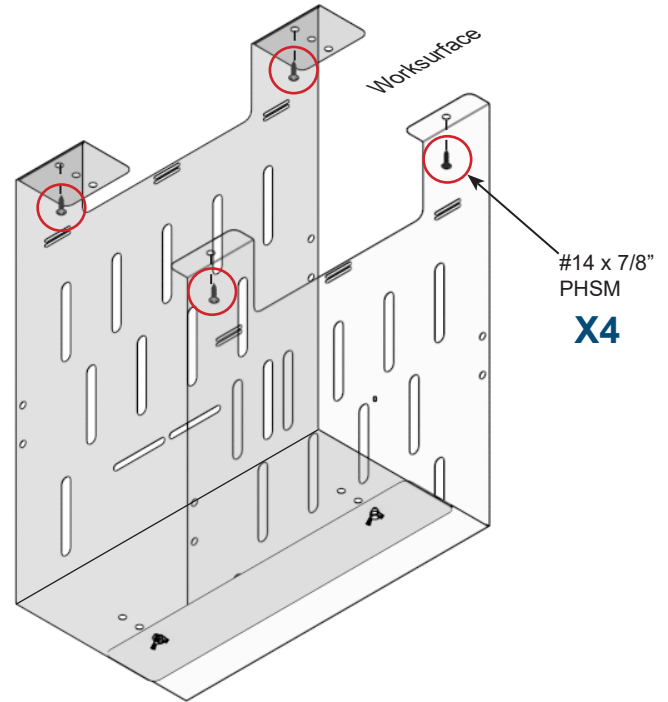
1 Assemble CPU sling

1. Choose a set of holes that matches your CPU tower width and align the sling side (with holes) under the other sling side (with threaded studs).
2. Secure together with (2) wing nuts.



2 Attach CPU sling to worksurface

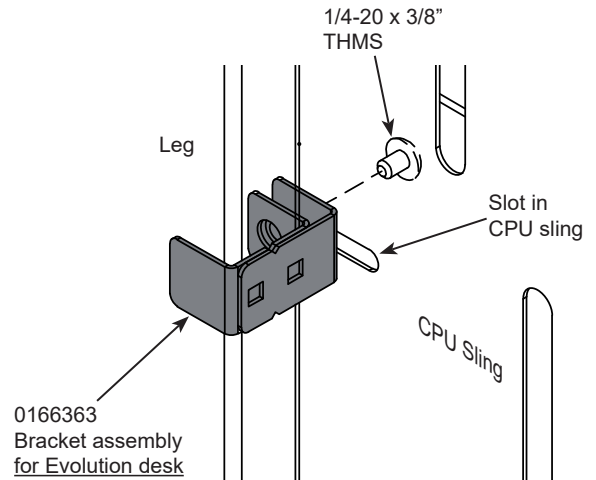
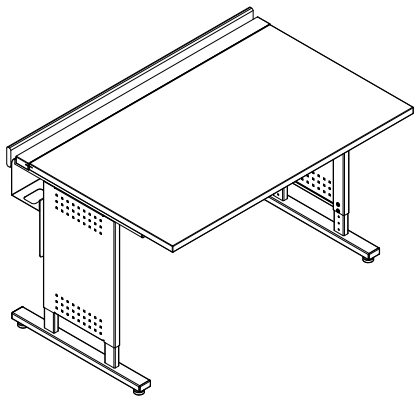
1. Determine which side of the desk the sling will attach (left or right),
2. Attach CPU sling to the worksurface with (4) #14 x 7/8" PHSM screws and existing pilot holes.



3 Install Bracket

Page 3 - Evolution Desk / Esports Evolution Desk installation
Page 4 - Evolution Electric Sit-to-Stand Desk installation
Page 4 - Esports GG Gaming Desk installation
Page 5 - Esports Shoutcaster installation

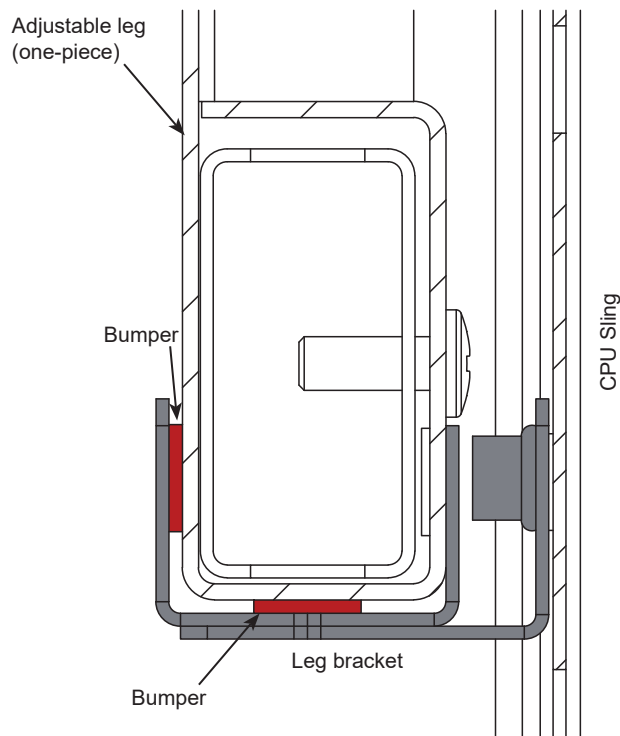
Evolution Desk / Esports Evolution Desk Installation



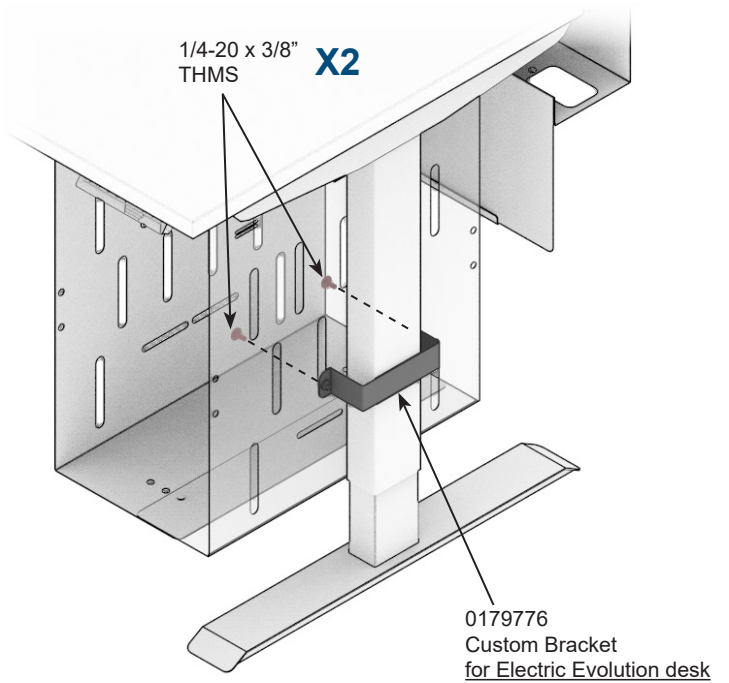
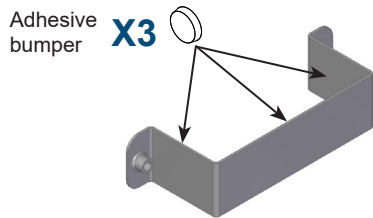
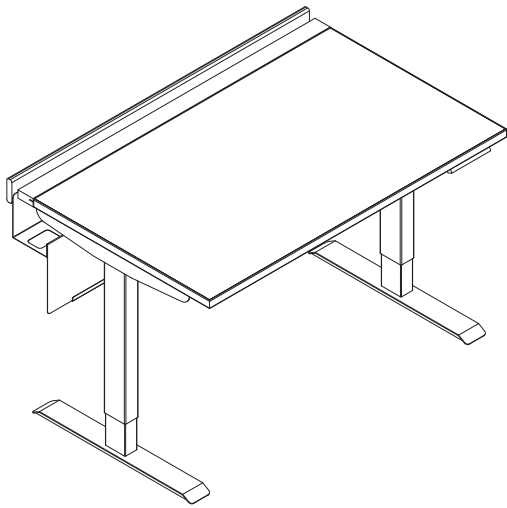
1. Apply (2) of the adhesive bumpers as shown. (See below).
2. Line up the bracket with the front slot of the CPU sling as shown and install (1) 1/4-20 x 3/8" THM screw (042025).
3. Adjust the leg bracket until it is snug against the leg, then tighten the 1/4-20 x 3/8" THM screw to secure.

Note: If the CPU sling is being used on an Evolution™ desk, the included 0166363 leg bracket should be secured to the sling. This bracket hooks onto the desk leg to provide additional support.

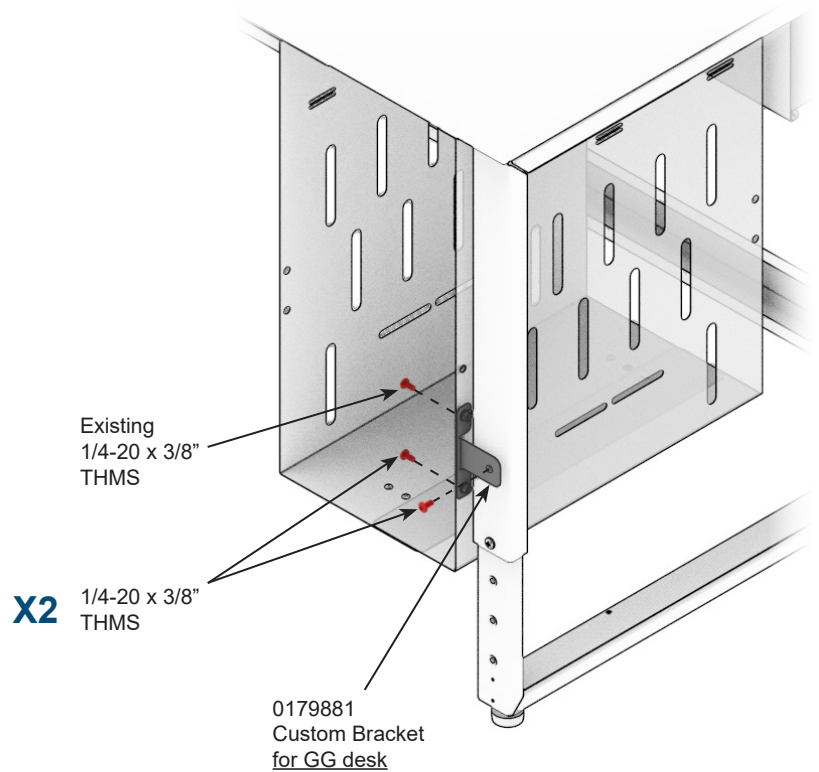
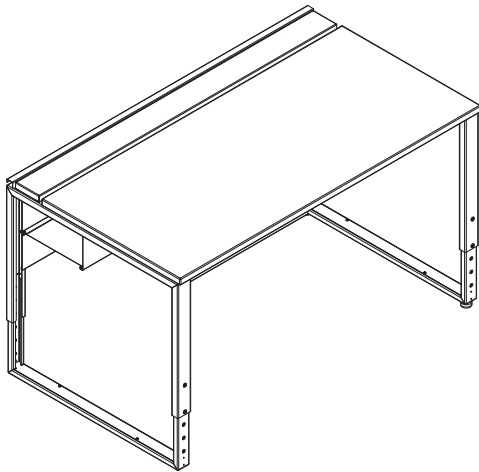
Note: The adhesive on the bumpers is designed to work with powder coated metal and has a strong bond. It is not easy to remove and reposition without damaging the bumper. Be sure each bumper is centered on the bracket in the locations shown before applying to the metal.



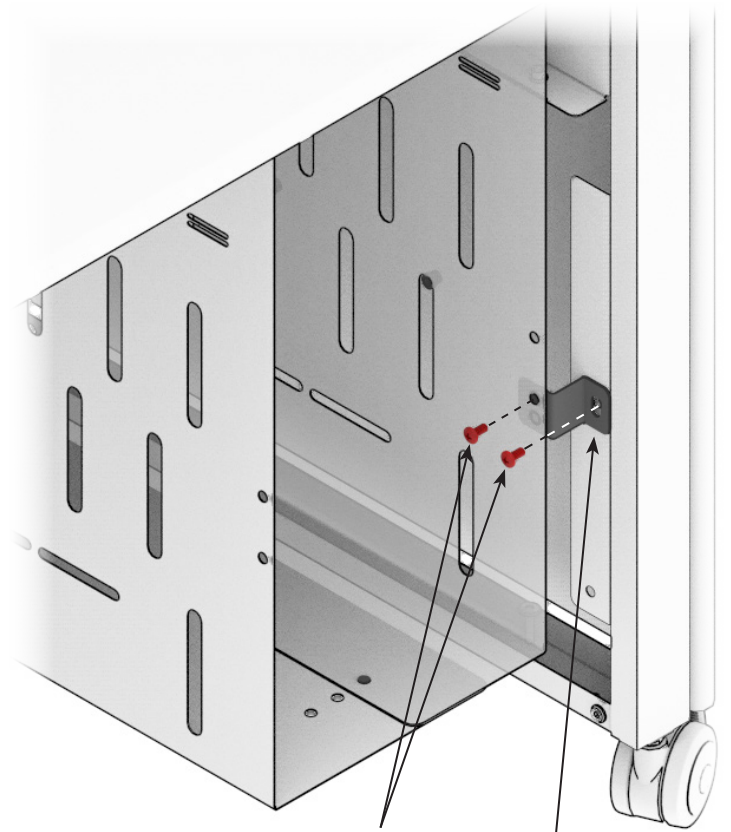
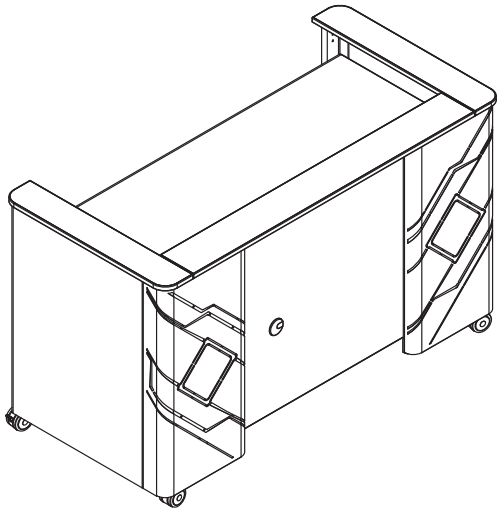
Evolution Electric Sit-to-Stand Desk Installation



Esports GG Gaming Desk installation



Esports Shoutcaster Installation



1/4-20 x 3/8" THMS **X2**

0179787
Custom Bracket
for Shoutcaster