

Assembly Instructions

⚠ Important ⚠

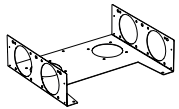
Before you begin, read and comply with all safety and operating instructions, and ensure all parts and correct quantities are included.

Any parts damaged during shipment must be reported within 5 days of receipt. To report information regarding missing parts or damage, to purchase parts or accessories, or if you have any questions, please contact us.

www.spectrumfurniture.com

800-235-1262, 715-723-6750

Thank you for purchasing Spectrum products!



(2) 0119430
Top / Bottom Panel



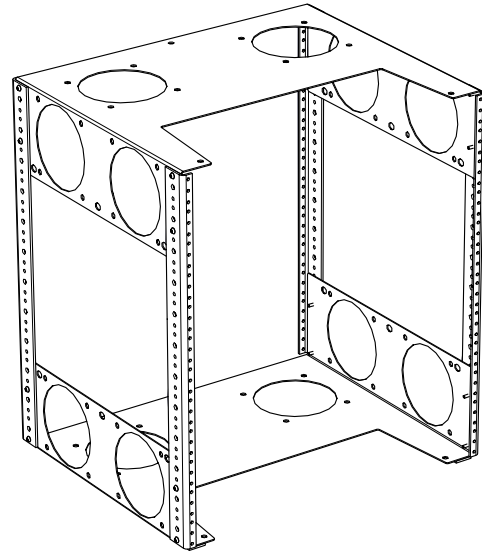
(2) 0119438
1"W x 15.5"L Polyethylene
slide with (S1101) 3/4"
double-sided tape



(4) 052436
Rack rail (21")



(16) 0100167
8-32 x 1/2" PH
thread-cutting screw



12RU Rack Cube for Edge Lectern 55228



1 Assemble cube

1. Assemble the cube top, bottom, and four rack rails using (16) 8-32 x 1/2" PH thread-cutting screws. Note the orientation of the rails. **Figure 1.**
2. Tighten screws securely.

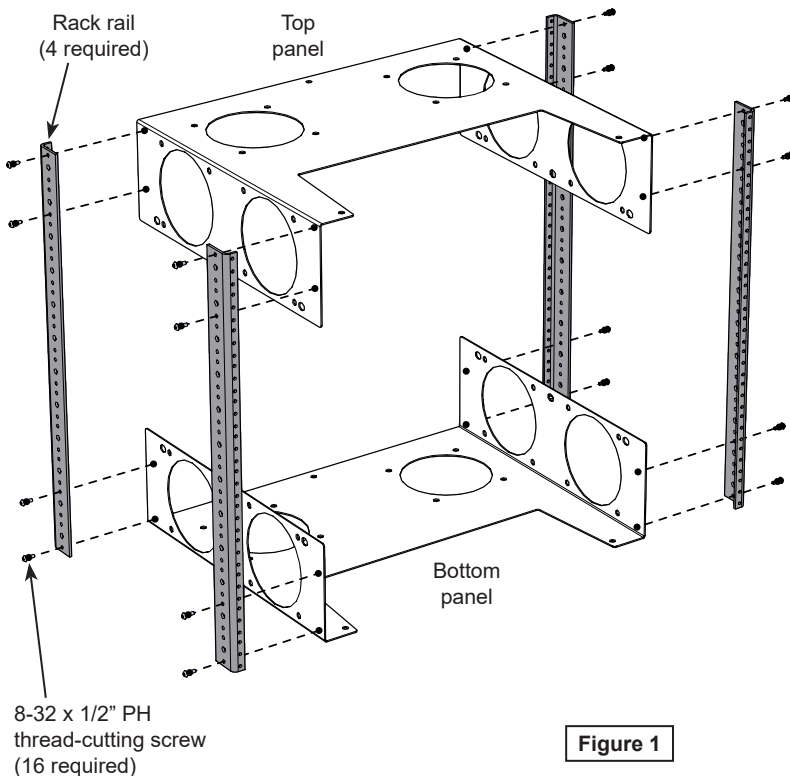


Figure 1

2 Apply slides

1. Apply the polyethylene slides to the bottom panel as shown. **Figure 2.**

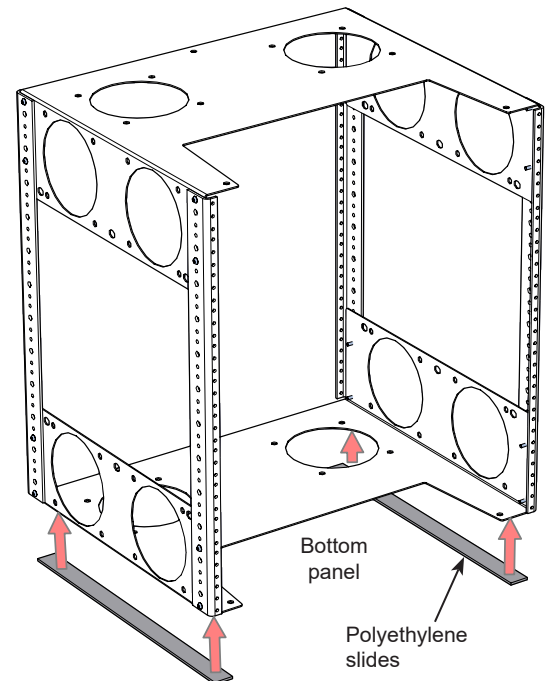


Figure 2

3 Install rack cube

1. Open doors to provide access. **Figure 3.**
2. Place the cube assembly into the unit.
3. The cube can be secured to the base panel if desired.
(fasteners not included).

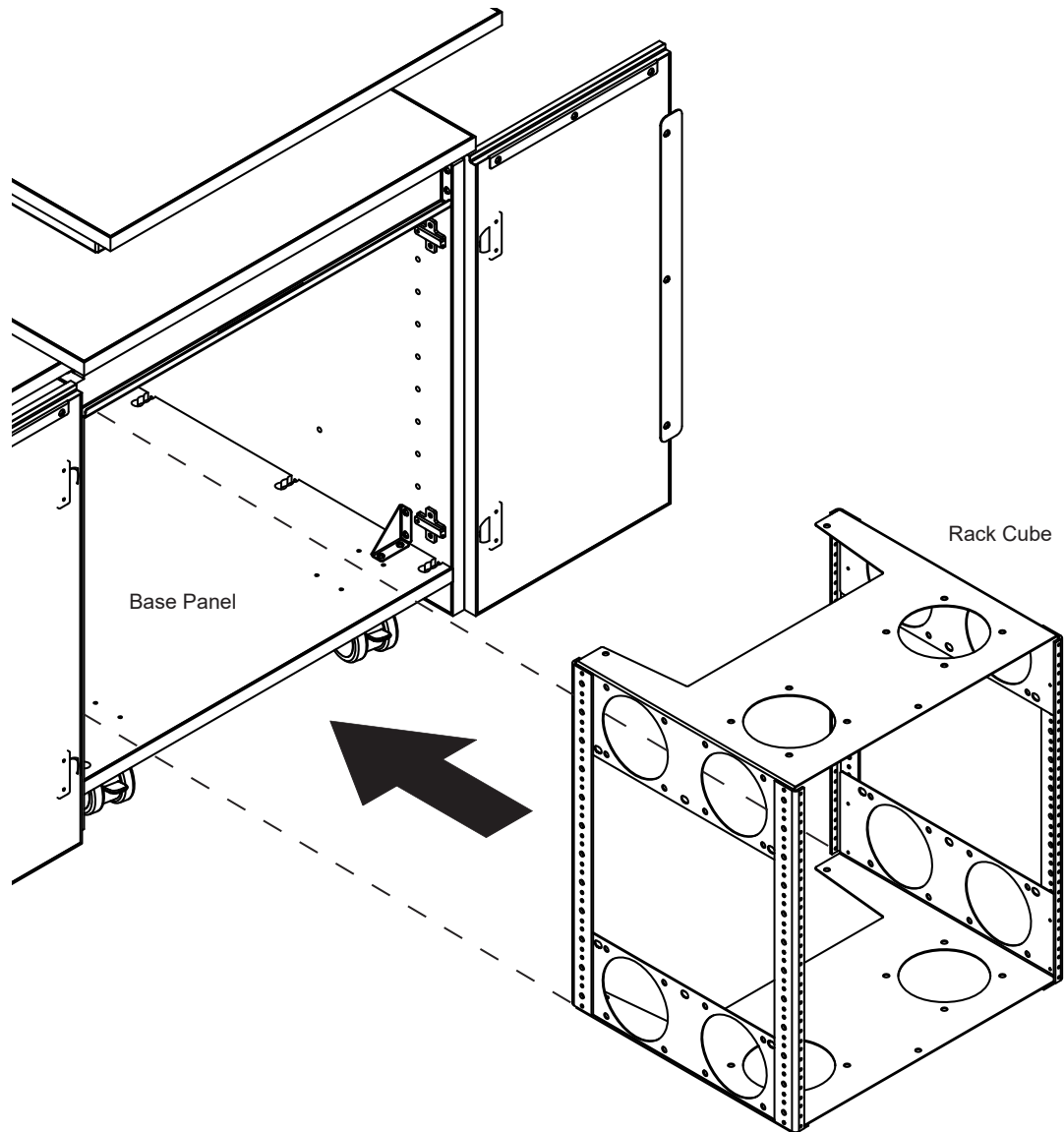


Figure 3

The rack cube provides 12RU of rack space and is easily removed from the unit. This simplifies installation of equipment and provides the ability to integrate equipment remotely. The cube can also be installed into the unit at a later date or when convenient.

The cube provides mounting options for multiple cooling fans if necessary. Compatible with most 4.75" cooling fans with 4.13" mounting hole spacing (12 mounting locations available).