

Assembly Instructions

⚠ Important ⚠

Before you begin, read and comply with all safety and operating instructions, and ensure all parts and correct quantities are included.

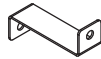
Any parts damaged during shipment must be reported within 5 days of receipt. To report information regarding missing parts or damage, to purchase parts or accessories, or if you have any questions, please contact us.

www.spectrumfurniture.com
800-235-1262, 715-723-6750

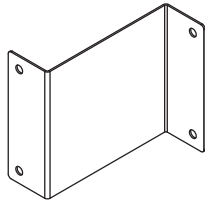
Thank you for purchasing Spectrum products!



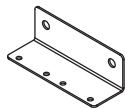
(2) Column assembly



(2) 0183493
Upper rail bracket



(2) 0183494
Mid rail bracket



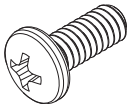
(2) 0183496
Lower rail bracket



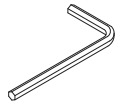
(16) 0190900
1/4-20 x 3/8"
Button hd hex



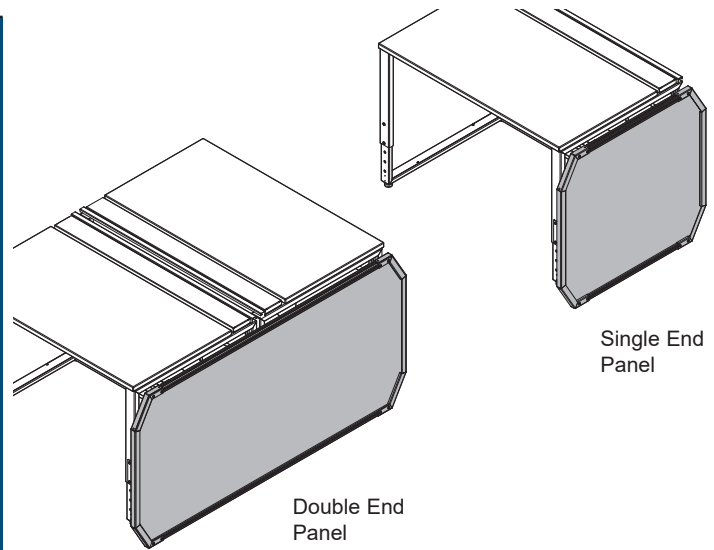
(12) 0199832
1/4-20 T-nut



(2) 026064
1/4-20 x 5/8"
PHMS



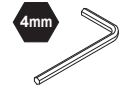
(1) 025039
4mm Hex
wrench



End Panel Attachment Kit for GG Desk 95050

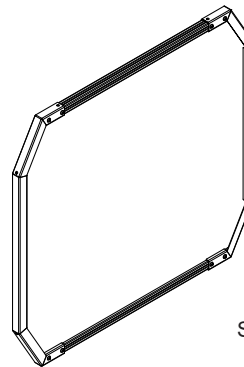


20
min

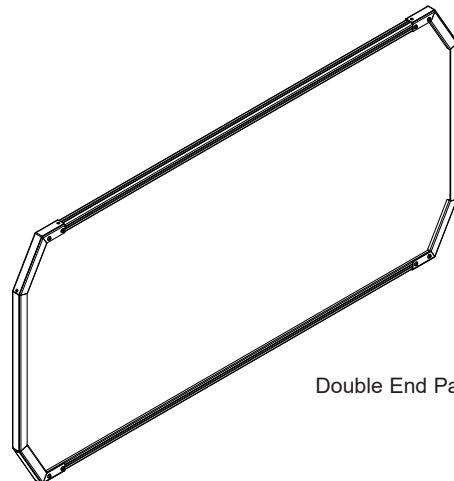


Assembly tip: Do not tighten component fasteners completely until all have been installed. Keeping them loose will help with alignment between parts during assembly.

Requires (1) of the following panels:



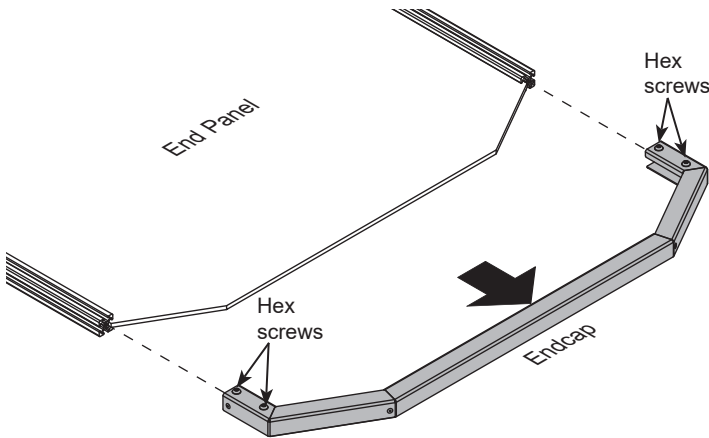
Single End Panel



Double End Panel

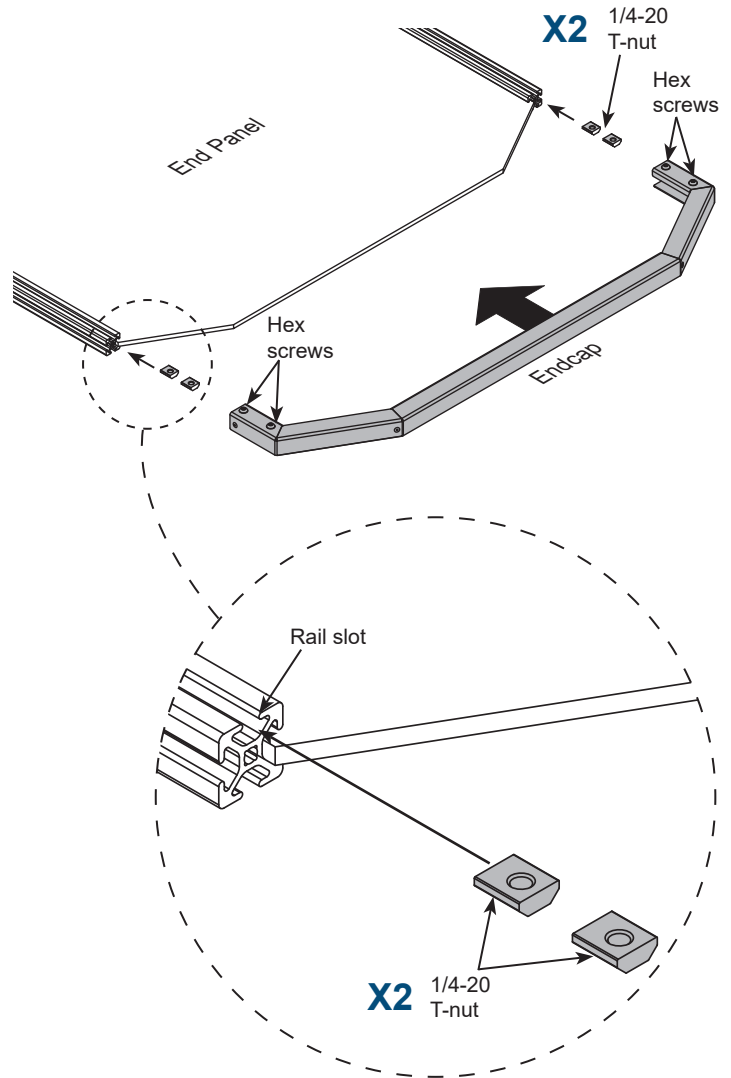
1 Remove panel endcap

1. Set the end panel down onto the floor as shown.
2. Loosen the (4) hex screws just enough to slide the endcap off the horizontal rails. (Do not remove these screws).



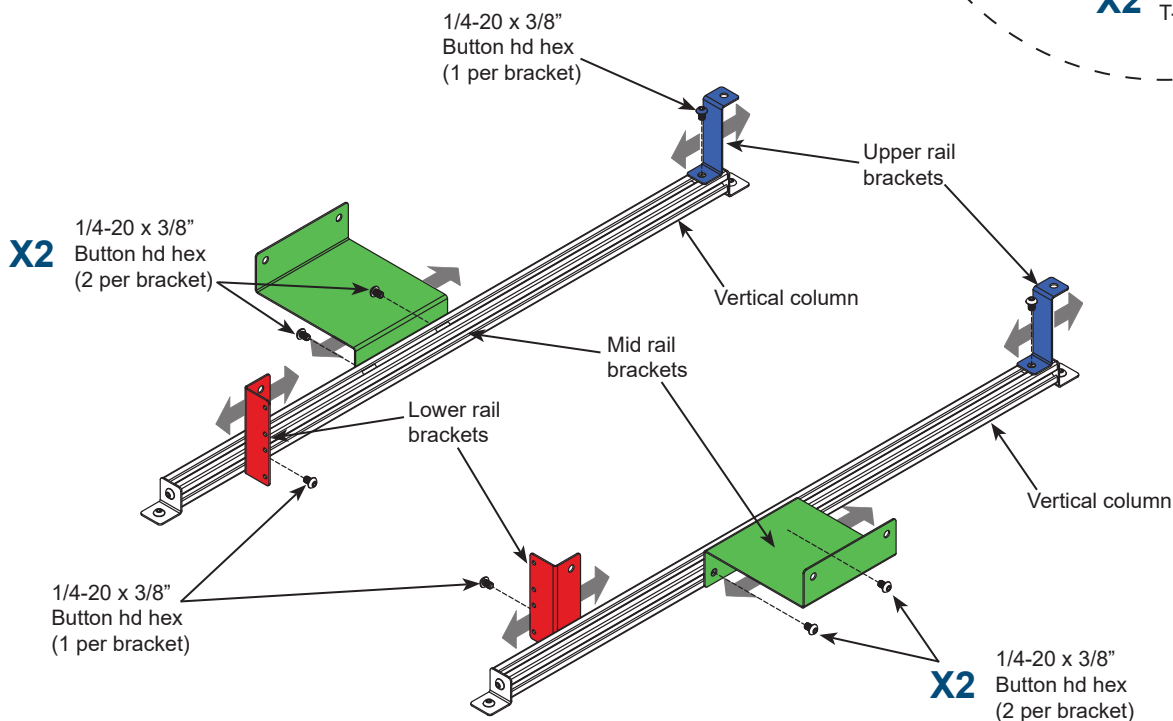
2 Install T-nuts and replace endcap

1. Place (2) T-nuts into each rail slot and slide them over.
2. Replace the endcap making sure each threaded plate engages with the horizontal rail and the endcap is pushed in as far as it will go.
3. Retighten the (4) hex screws securely.



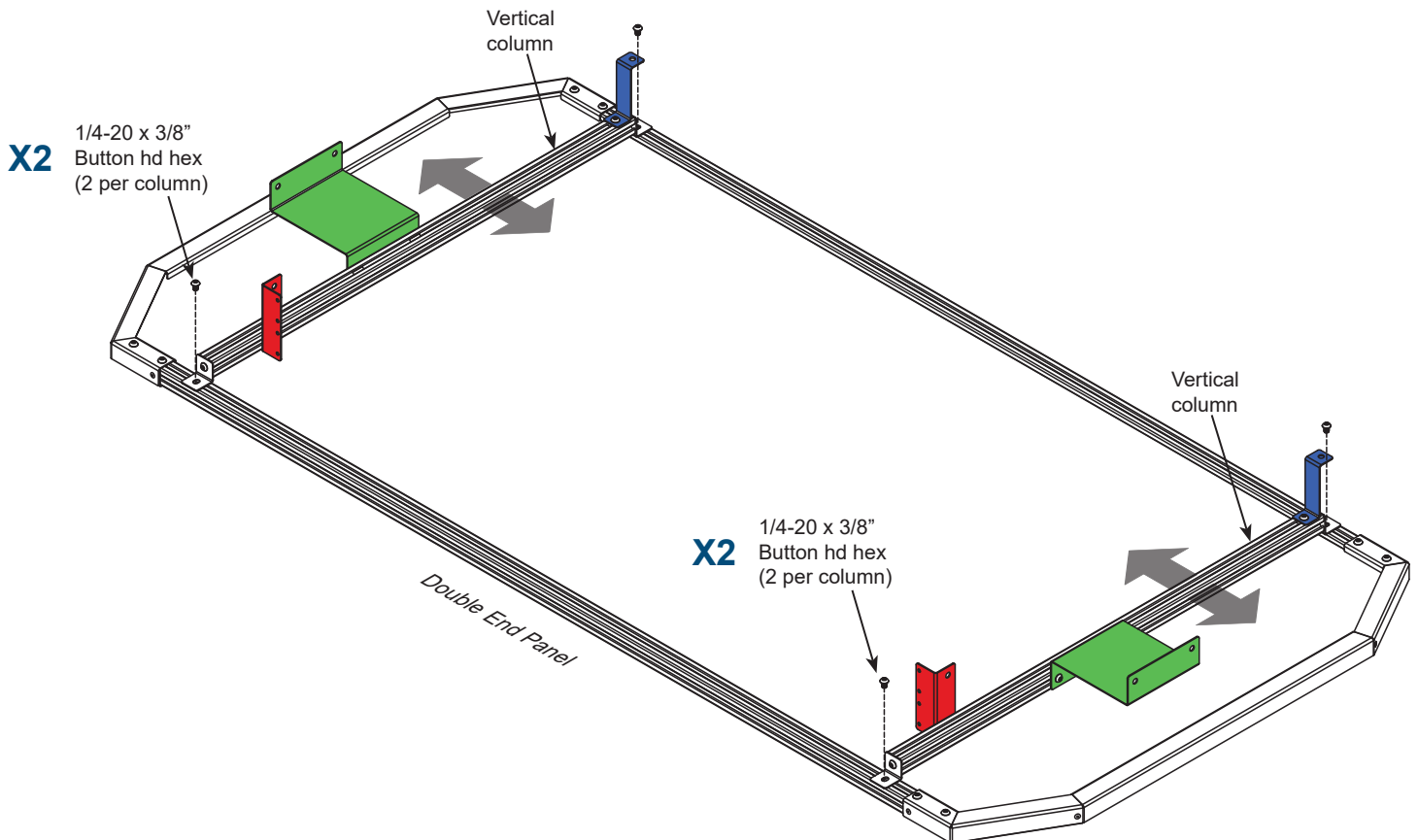
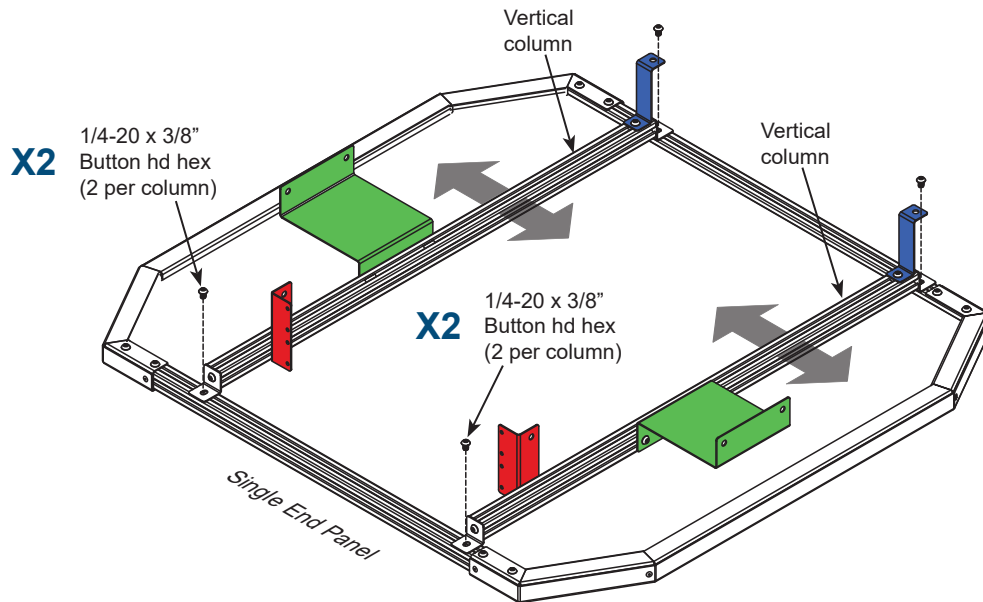
3 Attach brackets to vertical columns

1. Attach the brackets to the columns with the pre-installed T-nuts in the orientations shown, but don't fully tighten the screws. The brackets should be able to slide up and down the column.



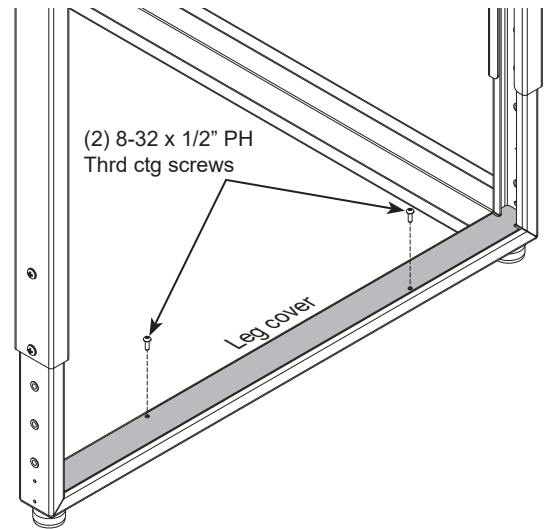
4 Attach vertical columns to panel

1. Set the vertical columns onto the panel as shown with the column brackets aligned as shown.
2. Install a 1/4-20 x 3/8" button hd hex screw into each T-nut to secure the column, but don't fully tighten yet. Each column should be able to slide left and right in the panel channels.



5 Remove leg cover screws

1. On the GG desk, remove the (2) existing screws securing the leg cover on the side the end panel will attach. These are 8-32 x 1/2" PH Thrd ctg screws and will be used to secure the lower rail brackets in step 6.

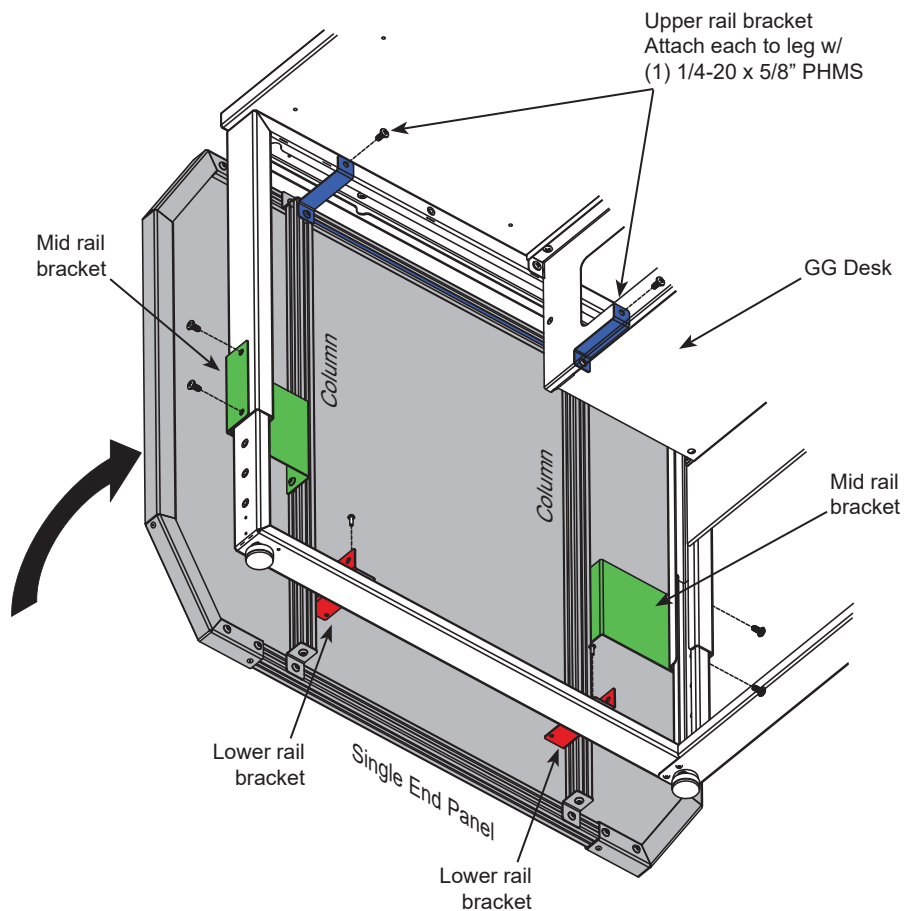


6 Attach panel assembly brackets to desk(s)

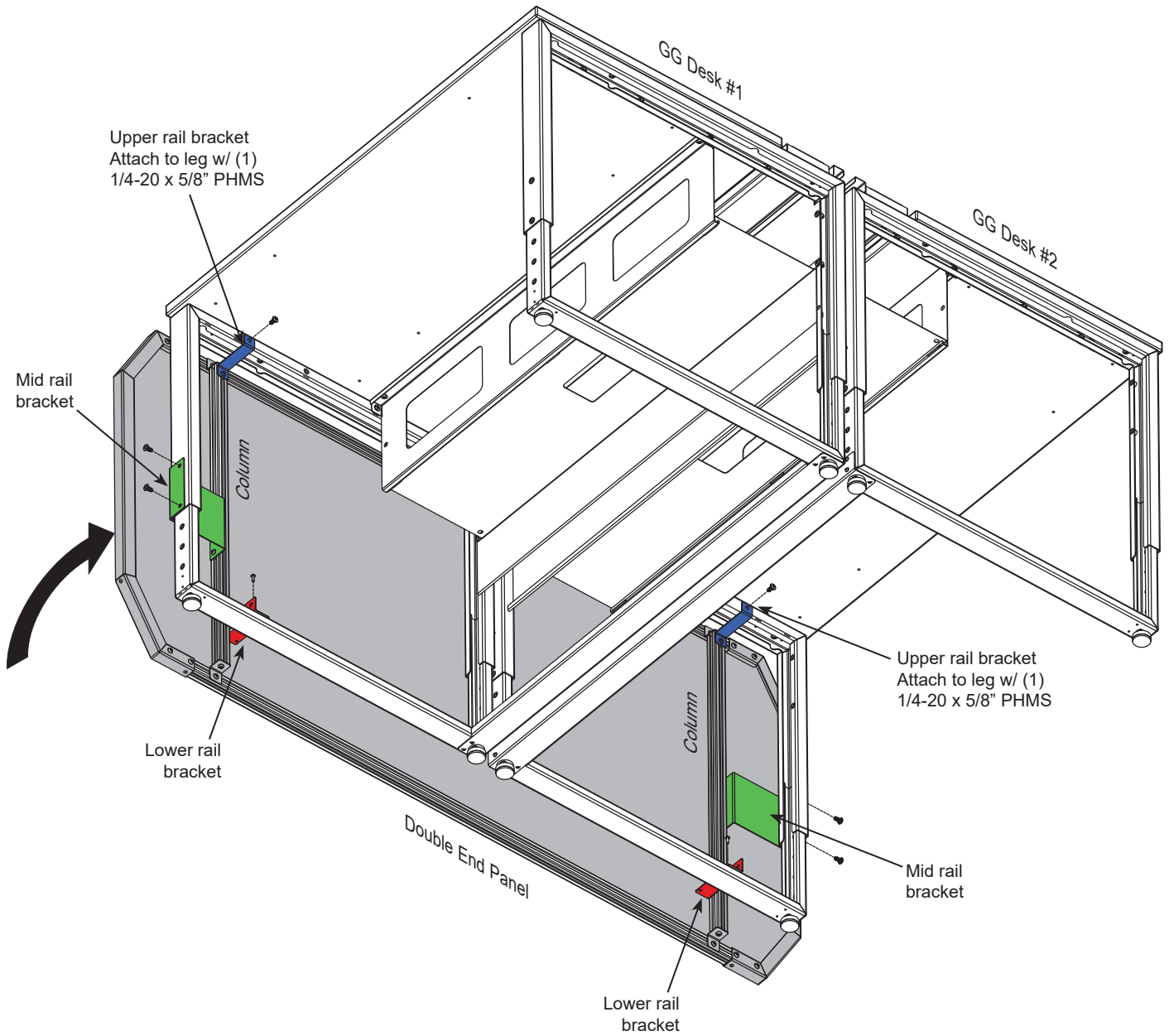
1. Tip the end panel assembly up and center on the end of the desk(s).
2. Slide the vertical columns horizontally and brackets vertically until the brackets are aligned with the desk mounting holes shown.
3. Attach the upper rail bracket(s) (blue) as shown with (1) 1/4-20 x 5/8" PHM each
4. Remove the (2) adjustable leg screws on the user-side of the leg. Align and secure the mid bracket to the leg with these (2) screws leaving screws slightly loose. Repeat this same procedure to install the second mid bracket on the audience-side of the leg.
5. Use the removed leg cover screws from step 5 to secure the lower rail brackets (red) as shown.
6. Tighten all bracket, column, and end panel screws that were previously left loose.

Note: Any existing installed optional leg logo panels (attached inside leg) will need to be removed before installation.

Single End Panel install (underside view)



Double End Panel install
(underside view)



Note: The double end panel will need to be detached if the back-to-back desks ever require moving.