

Assembly Instructions

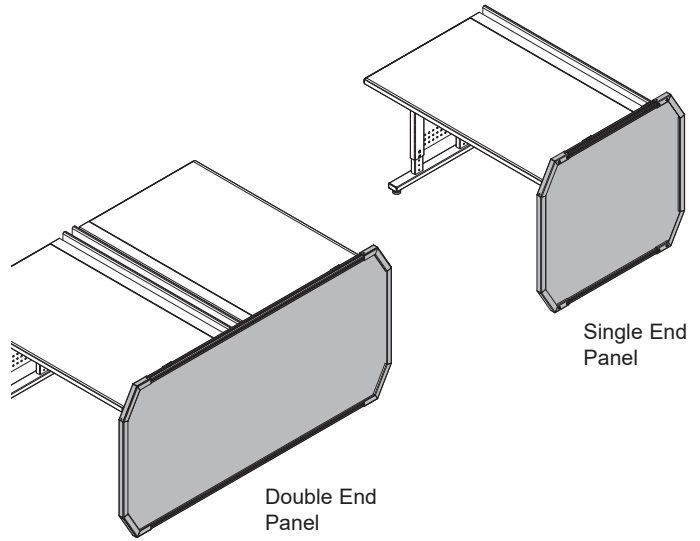
⚠ Important ⚠

Before you begin, read and comply with all safety and operating instructions, and ensure all parts and correct quantities are included.

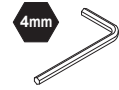
Any parts damaged during shipment must be reported within 5 days of receipt. To report information regarding missing parts or damage, to purchase parts or accessories, or if you have any questions, please contact us.

www.spectrumfurniture.com
800-235-1262, 715-723-6750

Thank you for purchasing Spectrum products!



End Panel Attachment Kit for Evolution or Esports Evolution Desk 95049



(2) Column assembly

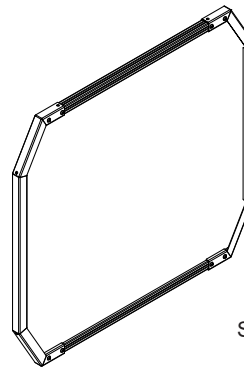


(1) 0200544
Upper rear
bracket
(for single end
panels only)

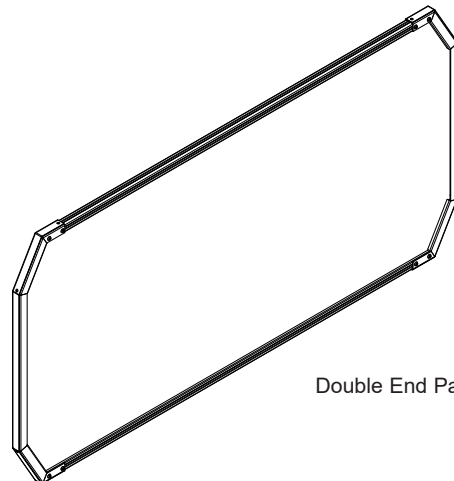


Assembly tip: Do not tighten component fasteners completely until all have been installed. Keeping them loose will help with alignment between parts during assembly.

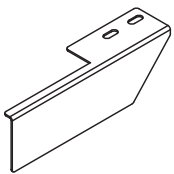
Requires (1) of the following panels:



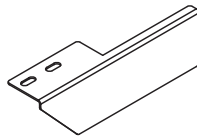
Single End Panel



Double End Panel



(1) 0200848
Left upper
rail bracket



(4) 0183489
Right upper
rail bracket



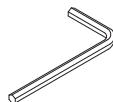
(2) 0183492
Lower rail
bracket



(12) 0199832
1/4-20 T-nut



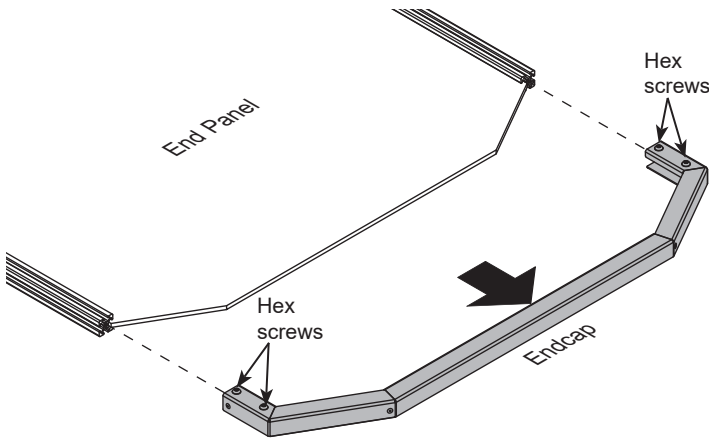
(16) 0190900
1/4-20 x 3/8"
Button hd hex



(1) 025039
4mm Hex
wrench

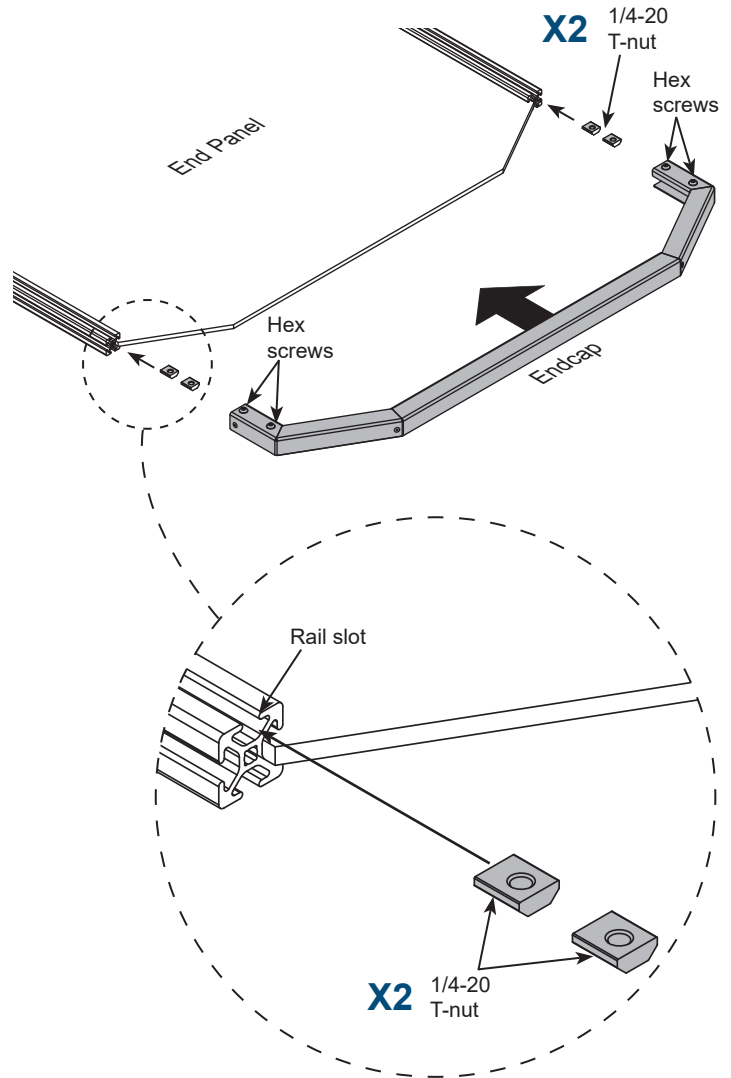
1 Remove panel endcap

1. Set the end panel down onto the floor as shown.
2. Loosen the (4) hex screws just enough to slide the endcap off the horizontal rails. (Do not remove these screws).



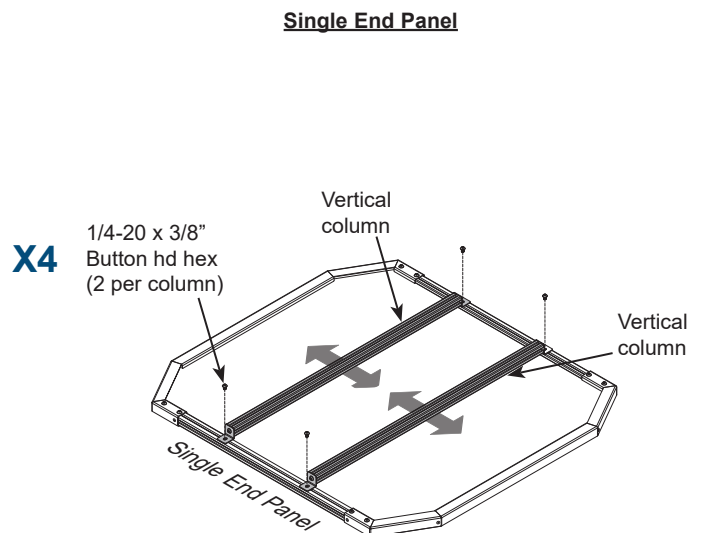
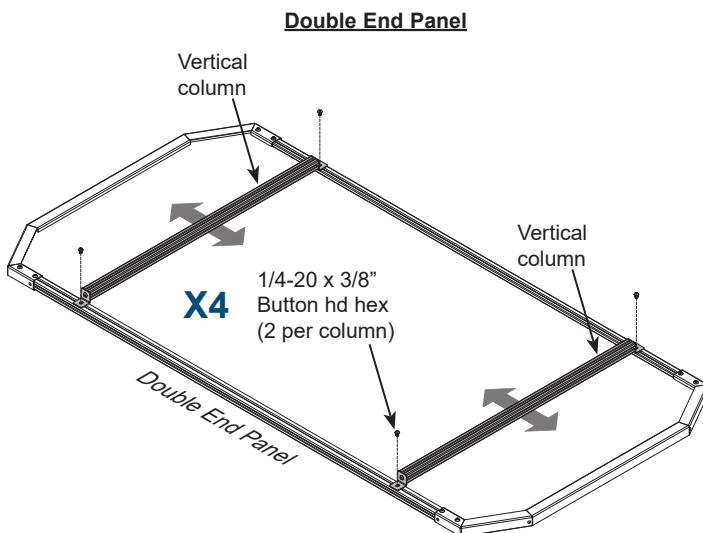
2 Install T-nuts and replace endcap

1. Place (2) T-nuts into each rail slot and slide them over.
2. Replace the endcap making sure each threaded plate engages with the horizontal rail and the endcap is pushed in as far as it will go.
3. Retighten the (4) hex screws securely.



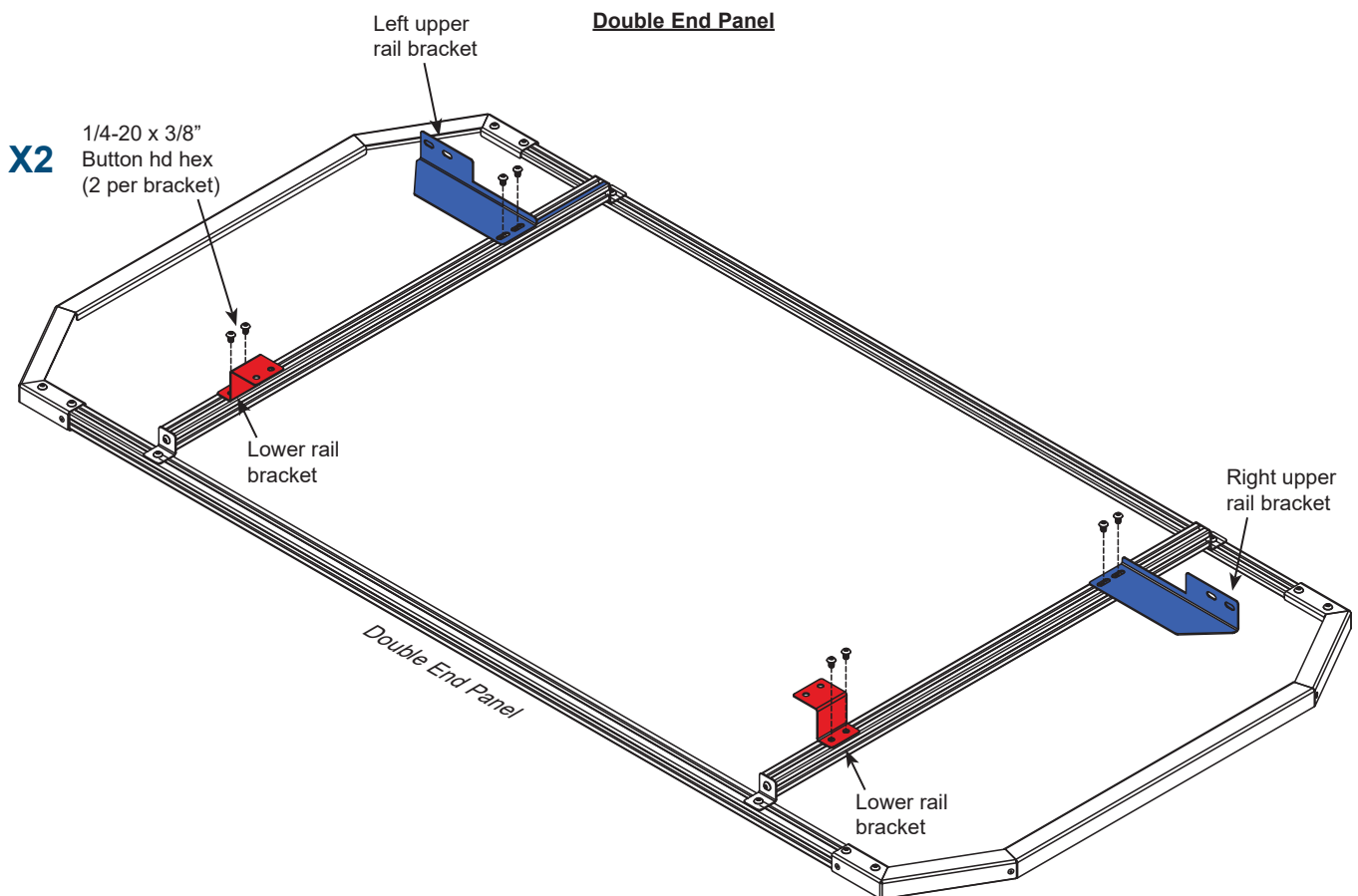
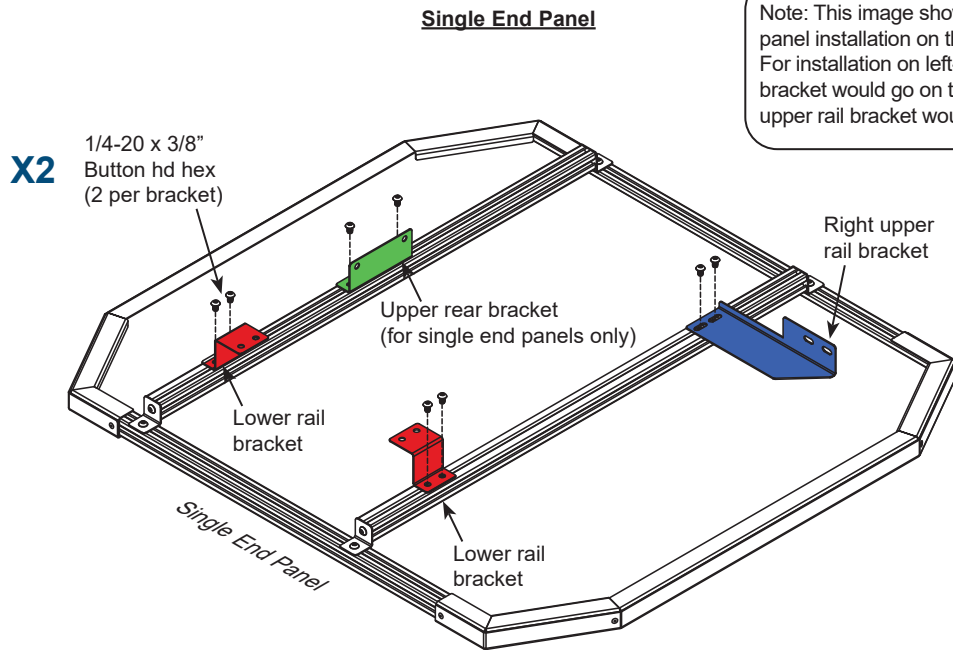
3 Attach vertical columns to panel

1. Set the vertical columns onto the panel as shown with the column brackets aligned with the T-nuts underneath.
2. Install a 1/4-20 x 3/8" button hd hex screw into each T-nut to secure the column, but don't fully tighten yet. Each column should be able to slide left and right in the panel channels.



4 Attach brackets to columns

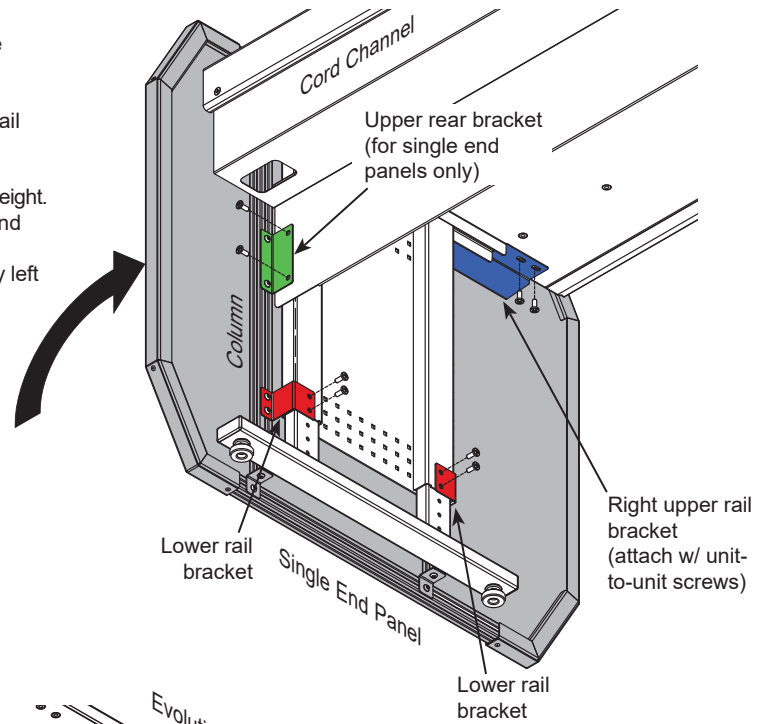
1. Attach the brackets to the pre-installed T-nuts in the orientations shown, but don't fully tighten the screws. The brackets should be able to slide up and down the column.



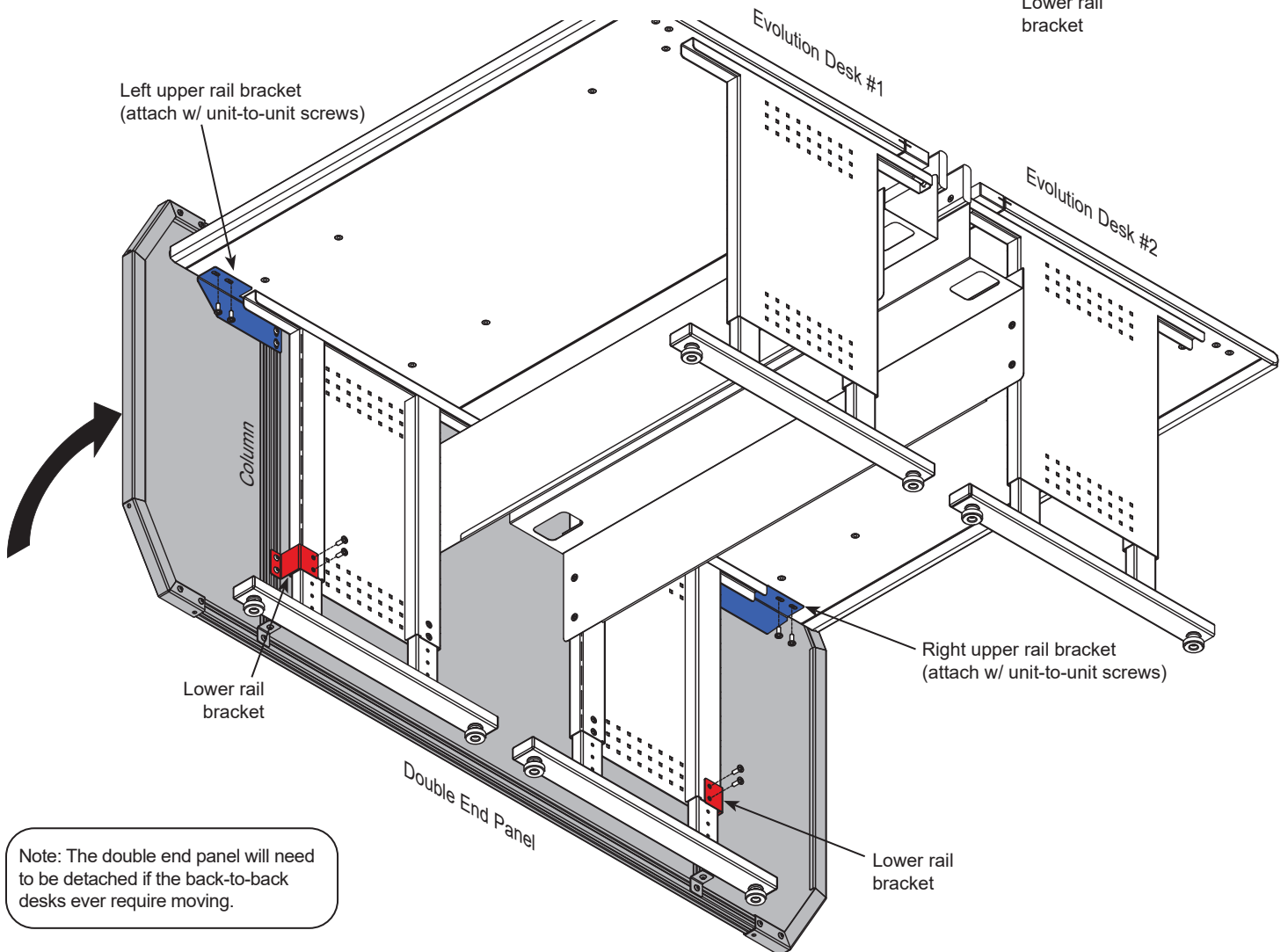
5 Attach panel assembly brackets to desk(s)

Single End Panel install

1. Tip the end panel assembly up and center on the the end of the desk(s).
2. Slide the vertical columns horizontally and brackets vertically until the brackets are aligned with the desk mounting holes shown.
3. Remove the screws attaching the existing unit-to-unit bracket.
4. Using the removed screws and worksurface holes, attach the upper rail bracket(s) (blue) as shown.
5. Remove the existing lower leg screws and use them to secure the lower brackets (red) as shown. Make sure both legs are at the same preferred height.
6. If installing a single end panel, remove the (2) cord channel screws and use to secure the upper rear bracket (green)
7. Tighten all bracket, column, and end panel screws that were previously left loose.



Double End Panel install



Note: The double end panel will need to be detached if the back-to-back desks ever require moving.