

Assembly Instructions

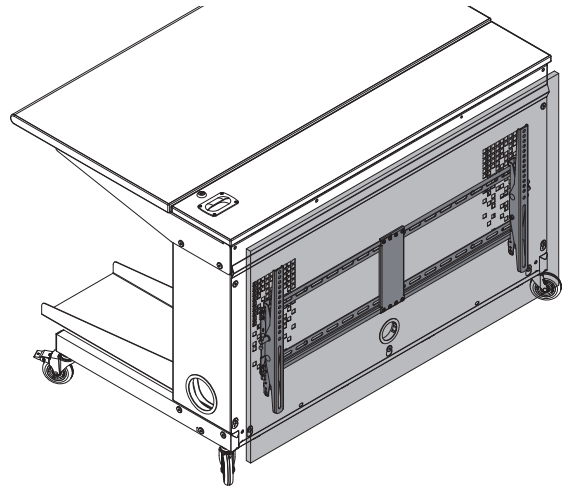
⚠ Important ⚠

Before you begin, read and comply with all safety and operating instructions, and ensure all parts and correct quantities are included.

Any parts damaged during shipment must be reported within 5 days of receipt. To report information regarding missing parts or damage, to purchase parts or accessories, or if you have any questions, please contact us.

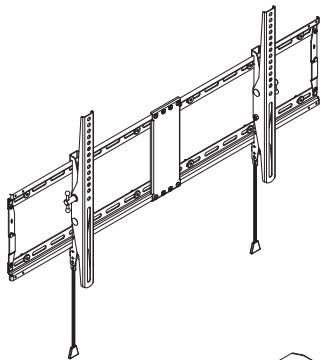
www.spectrumfurniture.com
800-235-1262, 715-723-6750

Thank you for purchasing Spectrum products!



Audience-side display mount for Champions Desk

95557



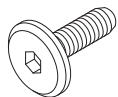
(1) 0193628
Display mount



(4) 0106543
1/4-20 Keps nut



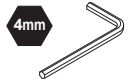
(1) 059984
2" Grommet



(4) 044541
1/4-20 x 20mm
JC bolt



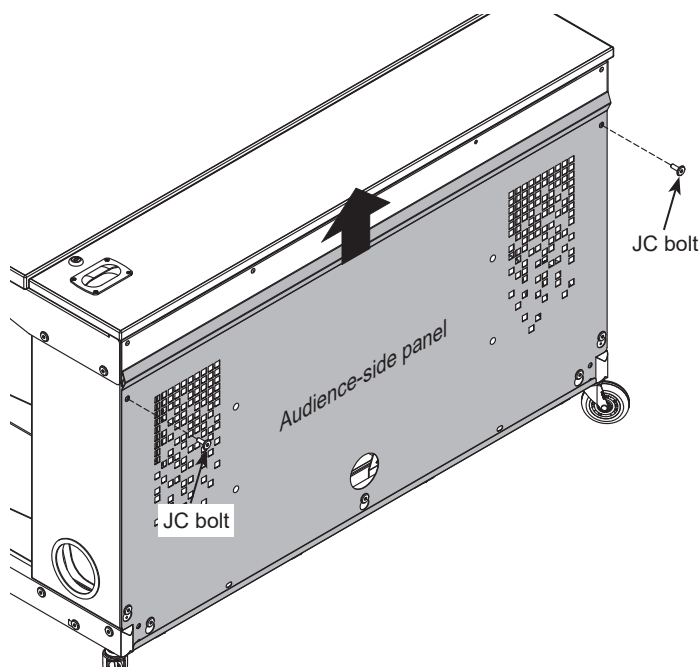
15-20
min



Assembly tip: Do not tighten component fasteners completely until all have been installed. Keeping them loose will help with alignment between parts during assembly.

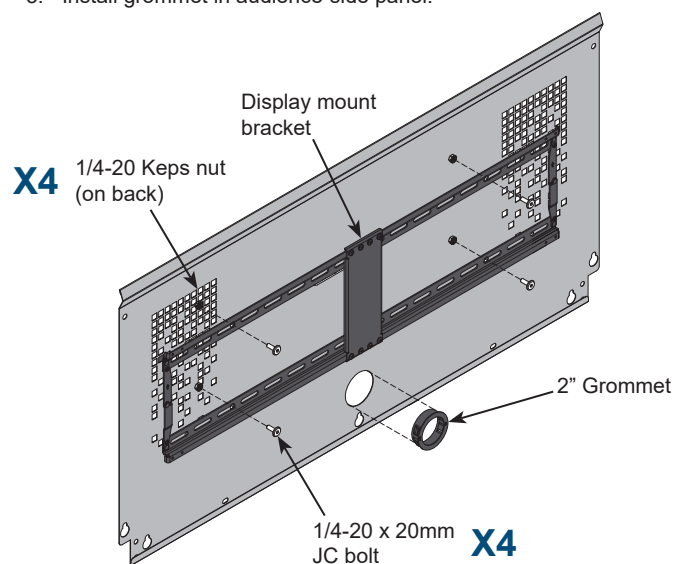
1 Remove audience-side panel

1. Remove the (2) upper JC bolts on the audience-side panel.
2. Lift up the panel to release from the lower JC bolts. If necessary, slightly loosen the lower JC bolts to remove panel.



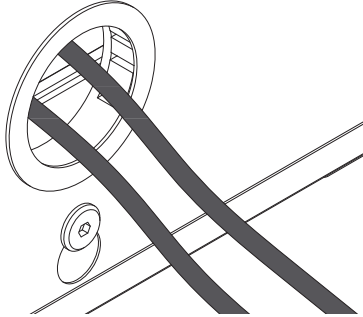
2 Install display mount to panel

1. Center and install the display mount bracket on the panel.
2. Secure with (4) 1/4-20 x 20mm JC bolts and (4) 1/4-20 Keps nuts.
3. Install grommet in audience-side panel.



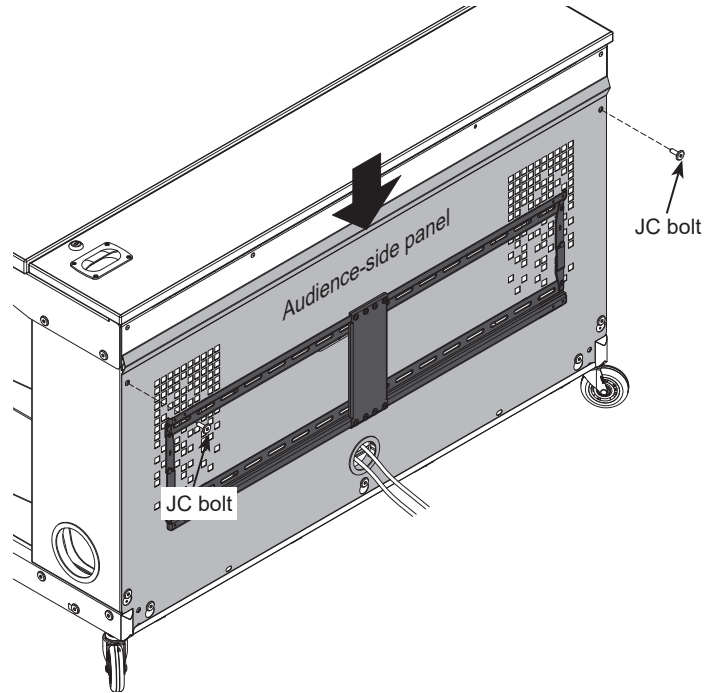
3 Route cords through grommet

1. Route display cords through grommet.



4 Replace audience-side panel

1. Align the panel with the lower JC bolts and lower onto the keyhole slots.
2. Replace the (2) previously removed screws to secure.



5 Install monitor



Note: See instructions included with display mount for installation and setup. The mount works with monitors up to 50" diagonal.

