

Assembly Instructions

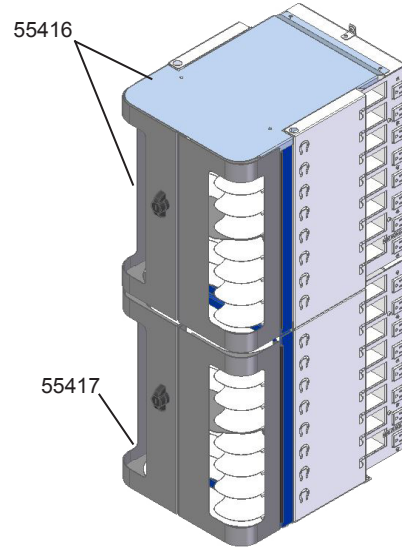
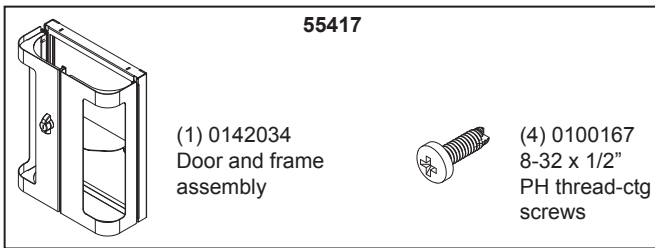
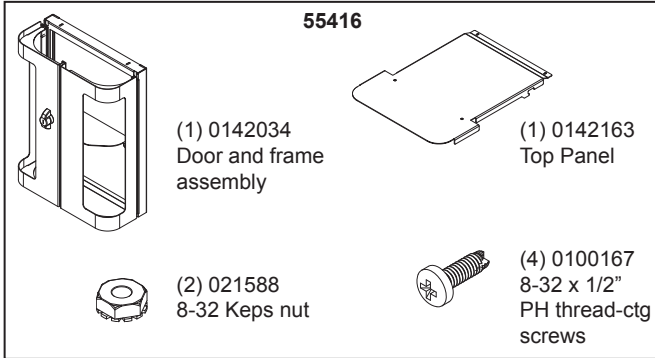
⚠ Important ⚠

Before you begin, read and comply with all safety and operating instructions, and ensure all parts and correct quantities are included.

Any parts damaged during shipment must be reported within 5 days of receipt. To report information regarding missing parts or damage, to purchase parts or accessories, or if you have any questions, please contact us.

www.spectrumfurniture.com
800-235-1262, 715-723-6750

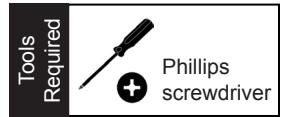
Thank you for purchasing Spectrum products!



Security Door Kit for Collectiv8™

55416 - Door Kit with top panel

55417 - Door Kit only



1. Attach Door & Frame Assembly

1. Remove any flat or L-brackets attached to the front the unit.
2. Align the door and frame assembly with the upper and lower Collectiv8 mounting holes, then align any previously removed Flat brackets. **Figure 1.1.** (If no brackets were used, the frame assembly will just attach with the included 8-32 screws).
3. Attach the door and frame assembly to the Collectiv8 with (4) 8-32 x 1/2" PH thrd-ctg screws, and tighten securely.
4. If necessary, secure the L-brackets to the worksurface. **Figure 1.2**

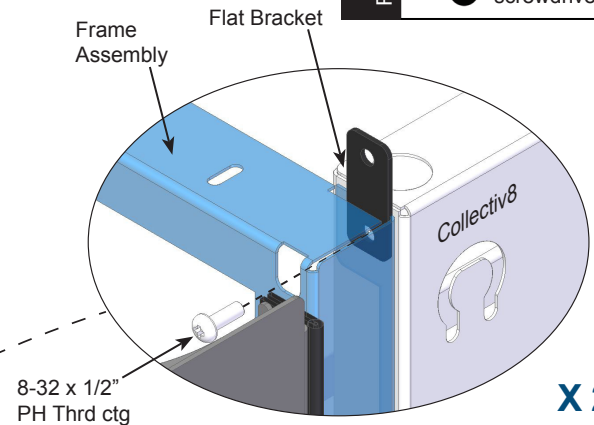


Figure 1.1

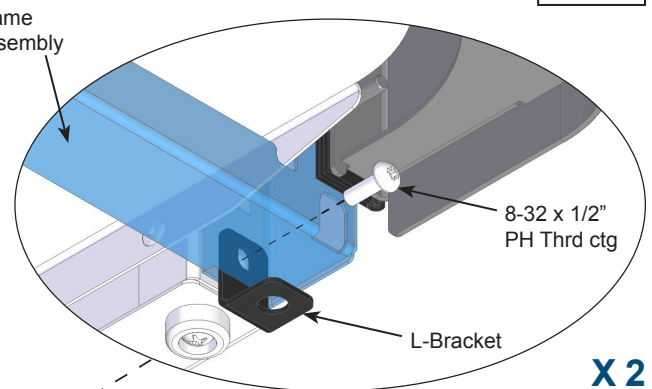
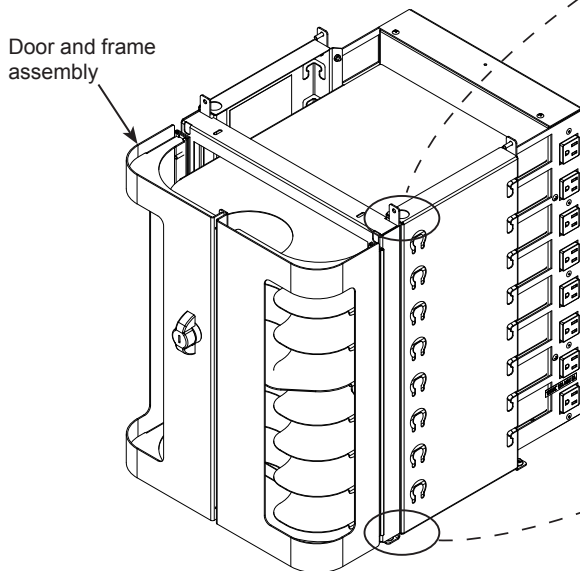


Figure 1.2

If L-brackets will be used to secure the Collectiv8 to a surface, the L-bracket needs to be secured to the surface 1st.

Then the Collectiv8 can be placed over the L-brackets, and secured with the 8-32 x 1/2" PH Thrd ctg screws.


2. Attach Top Panel (55416 only)

Note: The top panel only gets installed at the top of a Collectiv8 unit or stack.

Tools Required

11/32" or Adjustable wrench

Phillips screwdriver



1. Open doors.
2. Remove the (2) existing #8 x 3/8" PHSM screws from the top of the unit.
3. Align the top panel with the Collectiv8 mounting holes. **Figure 2.**
4. Attach with (2) 8-32 Keps nuts, and (2) previously removed #8 x 3/8" PHSM screws.

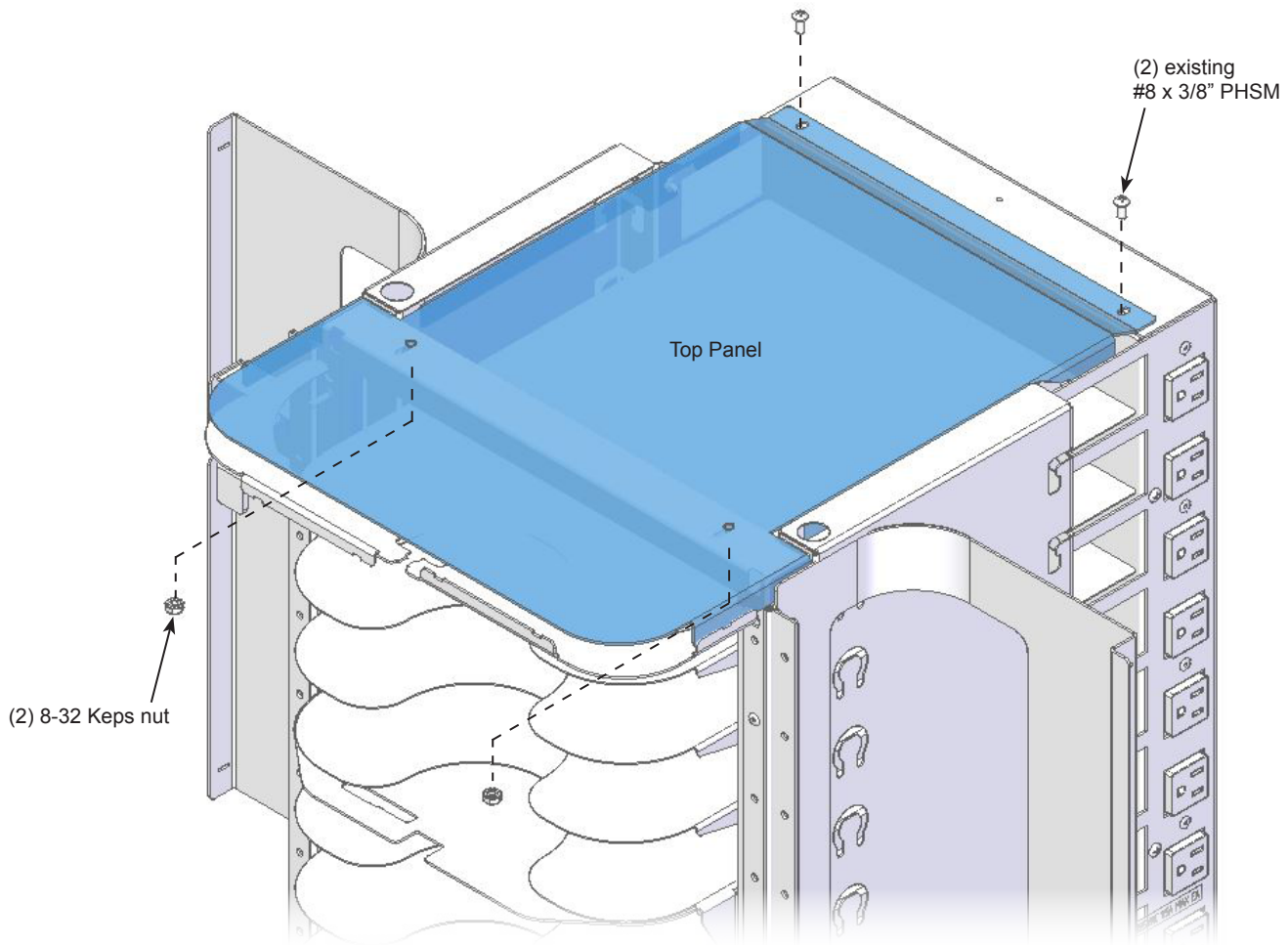


Figure 2