

Assembly Instructions

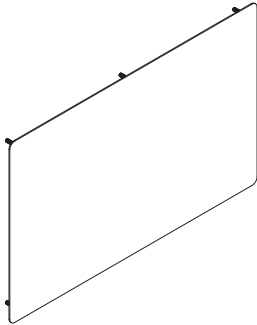
⚠ Important ⚠

Before you begin, read and comply with all safety and operating instructions, and ensure all parts and correct quantities are included.

Any parts damaged during shipment must be reported within 5 days of receipt. To report information regarding missing parts or damage, to purchase parts or accessories, or if you have any questions, please contact us.

www.spectrumfurniture.com
800-235-1262, 715-723-6750

Thank you for purchasing Spectrum products!



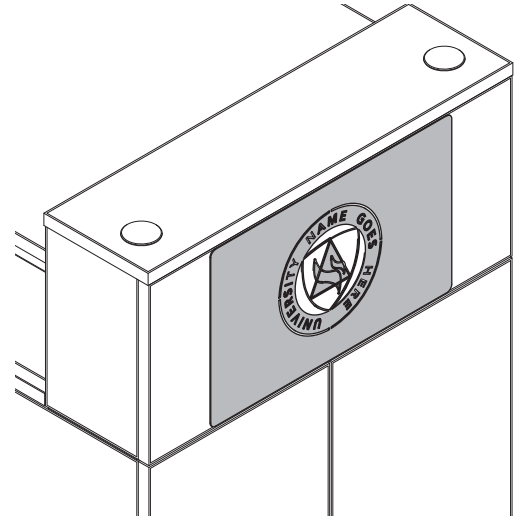
(1) 0178787
Logo panel



(6) 026059
1/4" Flat washer



(6) 0104260
10-32 Keps nut



Logo Panel for Edge Lectern 55568

Tools required



Masking
tape



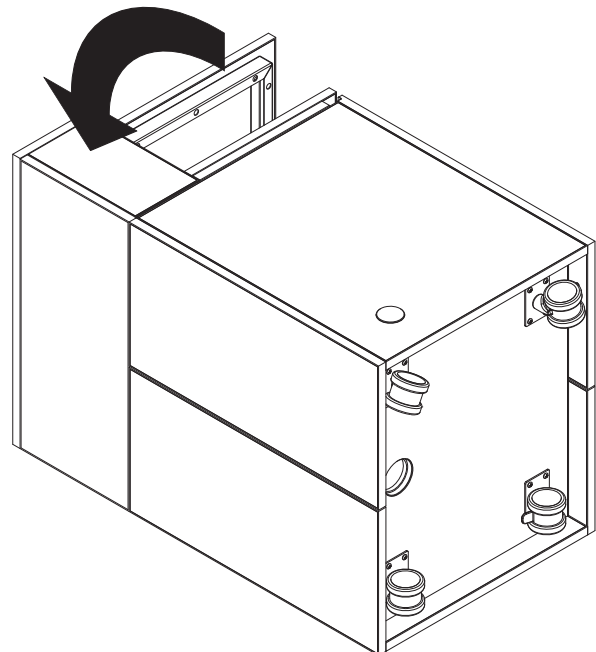
Drill with sharp
1/4" drill bit



Assembly tip: Do not tighten component fasteners completely until all have been installed. Keeping them loose will help with alignment between parts during assembly.

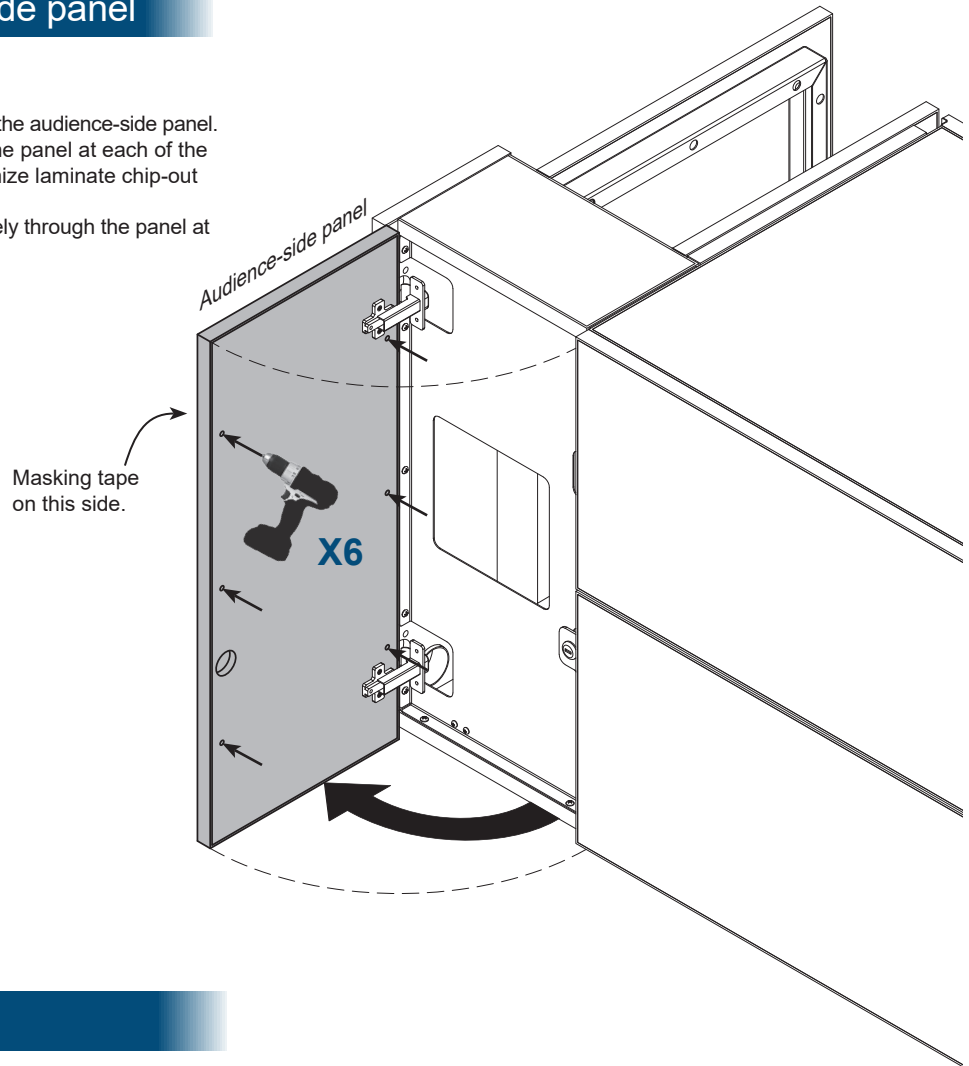
1 Tip lectern onto its side

1. Using two people, carefully tip the empty lectern on its side onto a non-abrasive surface. This will provide easier access to the back of the audience-side panel.



2 Drill holes in audience-side panel

1. Open the audience-side panel
2. Locate the (6) starter holes on the back side of the audience-side panel.
3. Place masking tape on the laminate-side of the panel at each of the (6) starter hole locations. This will help minimize laminate chip-out around the holes.
4. Using a sharp 1/4" drill bit, slowly drill completely through the panel at each of the (6) hole locations.



3 Attach logo panel

1. Tip the lectern back upright.
2. Align the logo panel studs with the drilled holes and secure with (6) 1/4" flat washers and (6) 10-32 Keps nuts.

